

# PB.F

## U-SHAPE WALL BRACE FOAM ANTI-VIBRATION

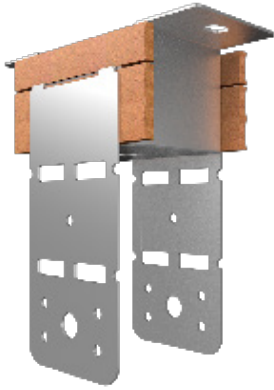
### Description

The **Vibro-PB.F** anti-vibration wall braces are designed to enhance the structural integrity of long and tall gypsum board walls, particularly those mounted on antivibration pads or based on floating floors. They prevent direct connections between double walls, thereby increasing their stiffness. This feature is particularly useful when a secondary wall is added for improved sound insulation, as it prevents unwanted sound bridges that can occur with rigid connections.

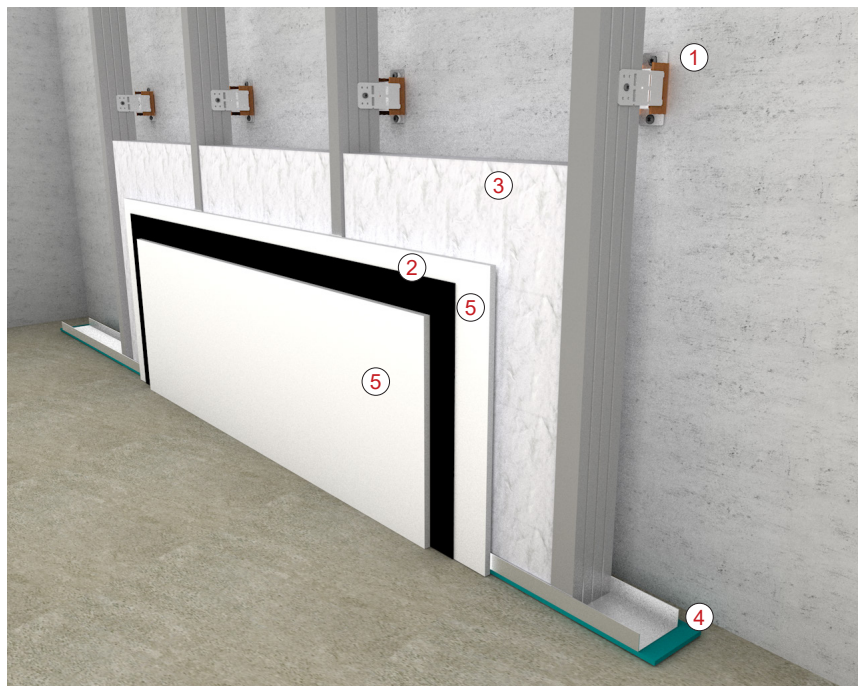
The **Vibro-PB.F** consists of a double metal frame, which is reinforced and specially modulated for optimal performance. In the center, it contains high-quality polyurethane foam with semi-closed cells, branded under Regufoam®. The metal assembly is designed with a “fail-safe” structure, ensuring it meets fire and impact resistance standards. Additionally, it helps reduce wall bending during seismic events, providing extra stability in high-risk areas.

### Applications (floating wall):

Vibro PB.F vibration isolators wall braces are designed mainly for the floating sound-proofed walls. These mounts can also be used for hanging horizontal pipes, air ducts, or any type of lightweight machinery that needs to be isolated.



- ① Vibration Hanger / Brace Vibro PB.F
- ② Mass Vinyl Noise Barrier ISOLfon - Barrier
- ③ Sound Absorption Polyester fiber slabs izIFON
- ④ Regufoam® strip vibration foam
- ⑤ Gypsum Board

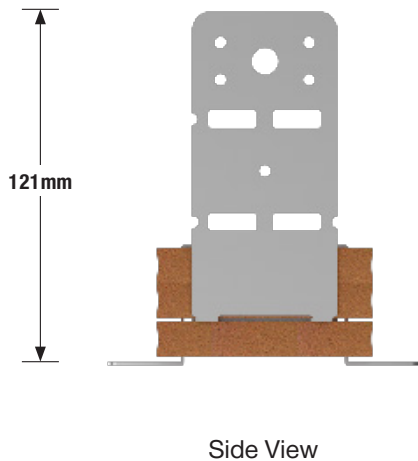
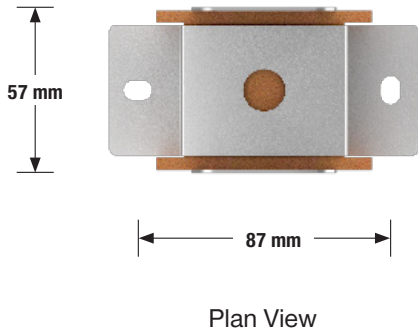


### Selection Table

TYPE	COLOR CODE	MAX AXIAL RESTRAINT (daN)
Vibro - PB.F 10	Black	10
Vibro - PB.F 20	Grey	20
Vibro - PB.F 50	Beige	50

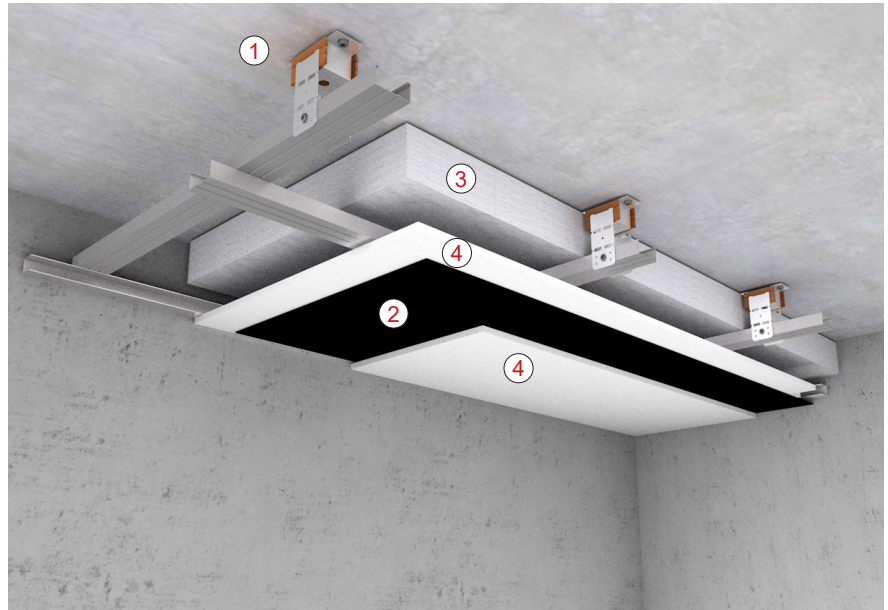
# Vibro-PB.F

## U-SHAPE WALL BRACE FOAM ANTI-VIBRATION



### Applications (floating ceiling):

Vibro PB.F vibration proof hangers can be also applied on floating insulating gypsum board ceiling applications. A typical example is illustrated below:



- ① Vibration Hanger / Brace  
Vibro PB.F
- ② Mass Vinyl Noise Barrier  
ISOLfon - Barrier
- ③ Sound Absorption Polyester fiber slabs  
IZIFON
- ④ Gypsum Board

### Dynamic Characteristics

Natural frequency (at maximum load) :

- 14 Hz (12.5mm foam thickness)
- 10 Hz (25mm foam thickness)

Design and Production according to Quality Management System ISO 9001.2008 & Environmental Management System ISO 14001.2004