

MP.F

FOAM PAD WITH METAL COVER

Description

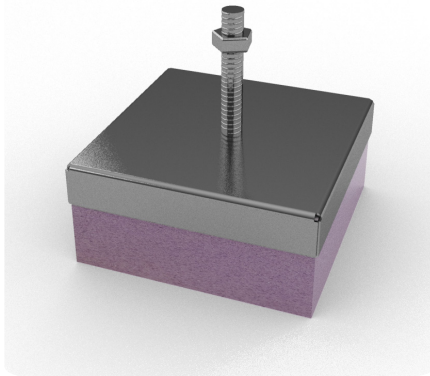
Vibro-MP.F consists of a rubber foam pad and a specially formed galvanised metal cover. This cover protects the rubber part of the mount from UV radiation and oils. The load applied on the mount is equally distributed to the entire surface of the rubber element that is a high-quality polyurethane foam with semi-closed cells, under trademark Regufoam®,

Its small dimensions offer a low cost and efficient solution also for low machine loads.

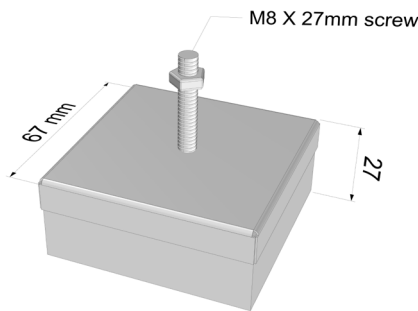
At the upper side of the metal cover a M8X27mm screw is incorporated for fixing the machine on the anti vibration mount. It is possible to achieve height regulation using two nuts with washer (not included).

Applications

Vibro-MP.F can be used as an antivibration mount for: small air-compressors, external air-conditioning units, pumps, fans, small generator sets, cutting machines, electric water pressure pumps etc



Vibro- MP.F



Vibro-MP.F Selection Table

TYPE	COLOUR CODE	MAX LOAD (daN)
VIBRO-MP.F.4	Green	4
VIBRO-MP.F.10	Purple	10
VIBRO-MP.F.22	Black	22
VIBRO-MP.F.40	Grey	40

Dynamic Characteristics

Natural Frequency: 13 Hz at maximum load



Vibro-MP.F



Vibro-MP.F - Installation with height regulation

Design and Production according to Quality Management System ISO 9001.2008 & Environmental Management System ISO 14001.2004