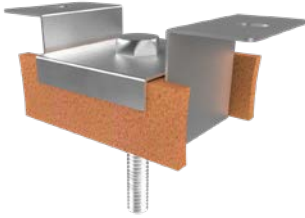
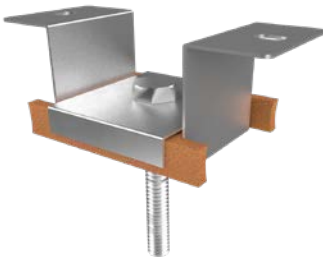


# Vibro-LS.F

## ANTI-VIBRATION LOAD SUSPENSION with REGUFOAM



Vibro-LS.F /25mm

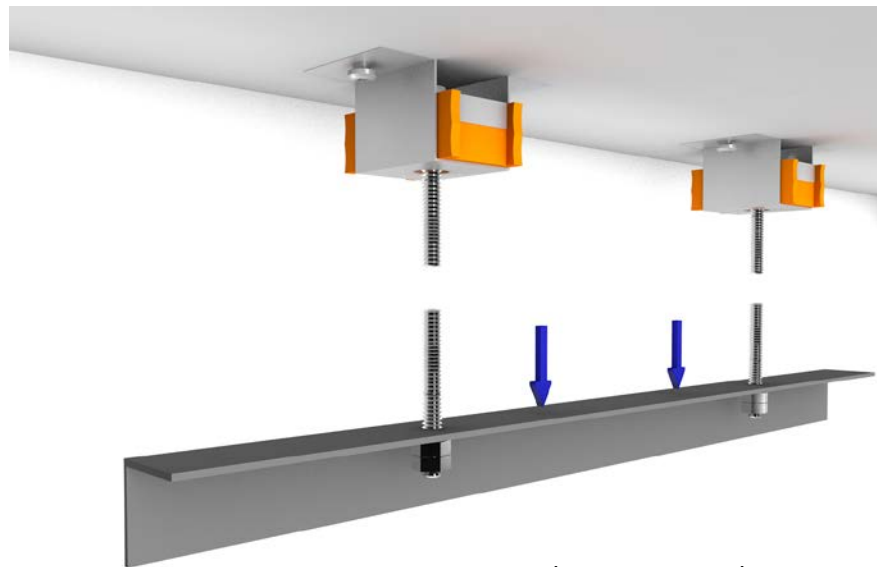


Vibro-LS.F /12mm

### Description

The anti-vibration ceiling hangers **Vibro-LS.F** are used for load suspension (vertical forces) such as suspension of floating false ceiling with gypsum board, anti-vibration suspension of machinery (ventilators, air-conditioning units e.t.c.), anti-vibration suspension of pipes, air-ducts e.t.c.

**Vibro-LS.F** consists of a galvanized metal frame, specially modulated for load hanging. In the middle, there is a high-quality polyurethane foam with semi-closed cells, under trademark Regufoam®, which avoids the transmission of vibrations while providing optimal acoustic results. Its metal assembly is a "fail-safe" structure in fire and impact resistance applications. The pass through screw does not come in contact with the metal frame, so that no sound bridge is created.



Load suspension application

### Selection Table

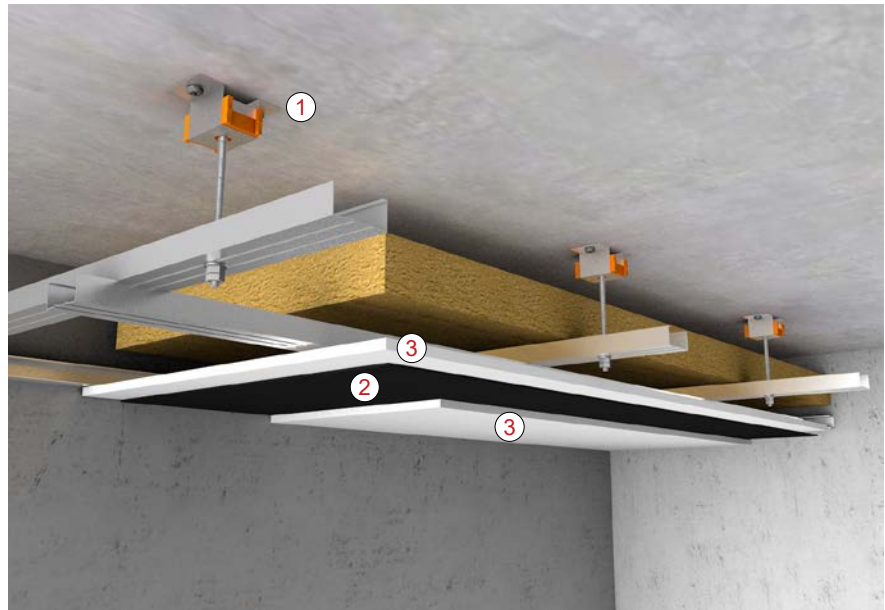
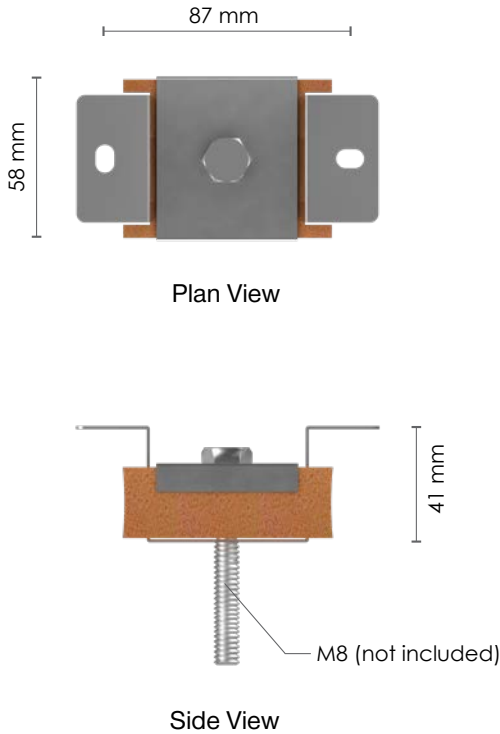
TYPE	COLOR CODE	MAX AXIAL RESTRAINT (daN)
Vibro - LS.F 10	Black	10
Vibro - LS.F 20	Grey	20
Vibro -LS.F 50	Beige	50

# Vibro-LS.F

## ANTI-VIBRATION LOAD SUSPENSION with REGUFOAM

Applications for floating ceiling:

**Vibro LS.F** vibration isolator hangers can be also applied on floating insulating gypsum board ceiling applications. A typical example is illustrated below:



- ① Ceiling Hanger with Foam for Load Suspension  
**Vibro LS.F**
- ② Mass Load Vinyl Noise Barrier  
**ISOLfon - Barrier**
- ③ Gypsum Board

### Dynamic Characteristics

Natural frequency (at maximum load) :

- 14 Hz (12.5mm foam thickness)
- 10 Hz (25mm foam thickness)

Design and Production according to Quality Management System **ISO 9001.2008** & Environmental Management System **ISO 14001.2004**