

iC (Isolation Collar)

ISOLATION FIXING WASHER

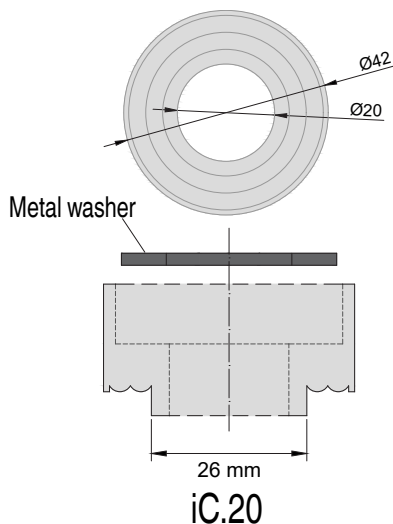
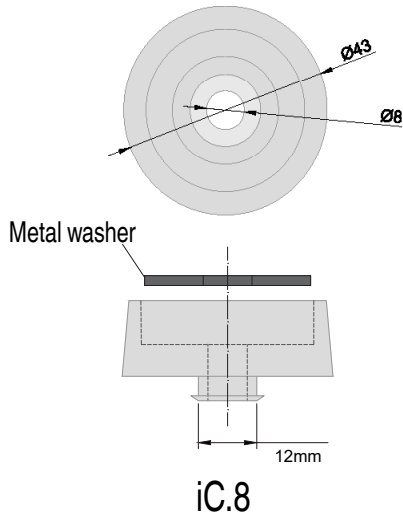
Description

Vibro-iC is a rubber designed specially to isolate mechanical fixings from transferring noise & vibration into surrounding structures. It prevents any direct connection between the bolt and the structure, and improves sound insulation, where rigid connections will cause an unwanted sound bridge.

Vibro-iC consists of a rubber washer, with a specially designed rubber neck and a center hall of $\Phi 8\text{mm}$ and $\Phi 20\text{mm}$, respectively. A metal washer is included in order to achieve equal distribution of the fixing force.

Manufactured for durability, performance and ease of onsite installation.

Zinc plated metal washer protection.



Applications

Vibro-iC can be used in any bolt-through connection which requires acoustic isolation from the supporting structure.

Application Examples:

- Steelwork isolation in building structures
- Machine / plant holding down bolts
- Facade fixings

Technical Characteristics

Polymer base for Elastomer overlay: NR+SBR.

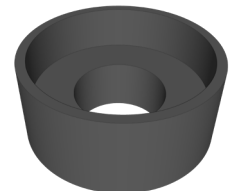
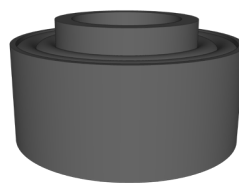
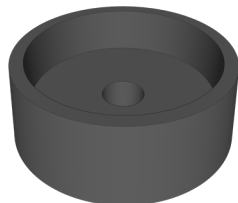
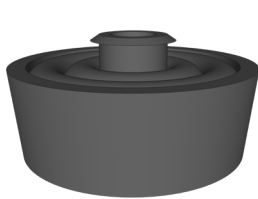
Hardness 60 ± 5 Shore A

Operating temperature range from -20 to $+80^\circ\text{C}$

Metal washer: Zinc plated according to DIN 9021

Important Note:

Holes in steelwork need to be oversized to accommodate the isolation rubber neck ($\Phi 12$ or $\Phi 26\text{mm}$)



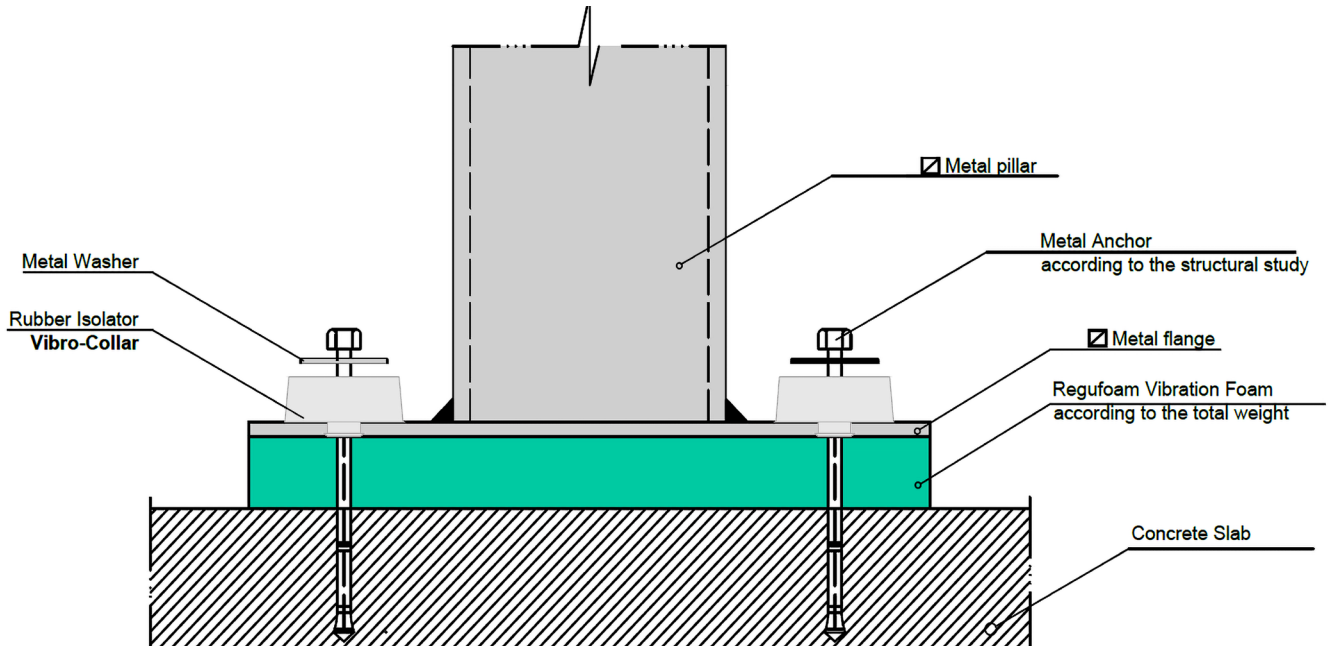
Vibro - iC.8

Vibro - iC.20

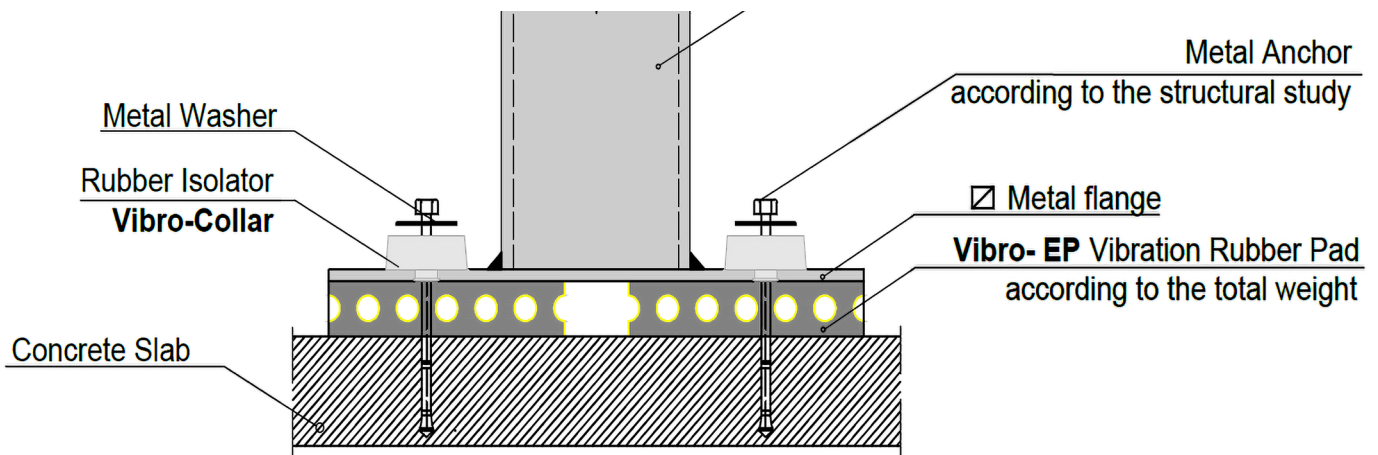
Design and Production according to Quality Management System ISO 9001.2008 & Environmental Management System ISO 14001.2004

iC (Isolation Collar)

Typical Applications



1. Metal Structure Support with Regufoam



2. Metal Structure Support with Vibro-EP