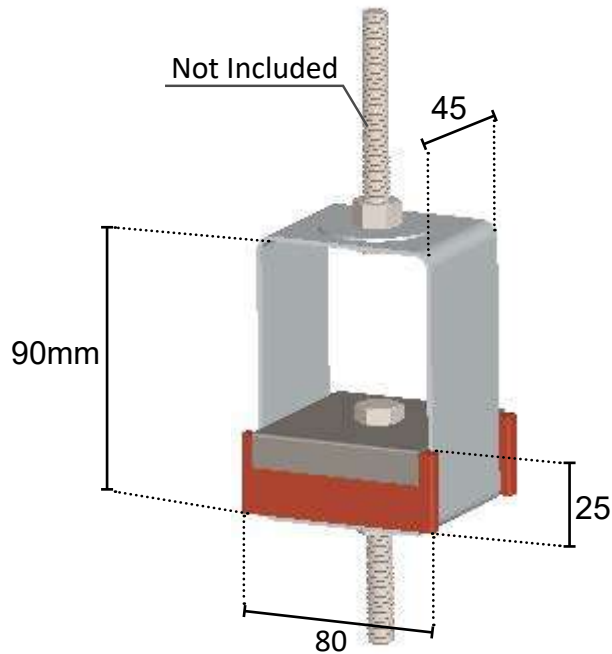


# Vibro-HF

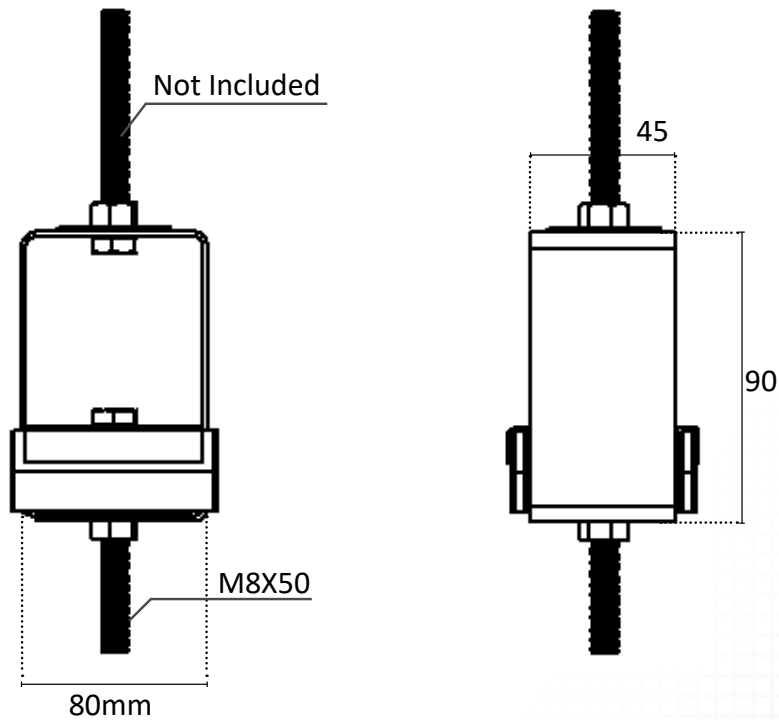
## ANTIVIBRATION HANGERS with Regufoam®

### TECHICAL DRAWINGS

#### 3D VIEW



#### SIDES VIEW



The technical data can be changed without notice