

EP Metal Micro

ANTI-VIBRATION PAD WITH METAL COVER

Description

Vibro-EP Metal Micro consists of a rubber pad Vibro EP (dimensions 6.25 x 6.25 x 2.5 cm) and a specially formed galvanised metal cover. This cover protects the rubber part of the mount from UV radiation and oil. At the same time, the load applied on the mount is equally distributed to the entire surface of the rubber element.

Its small dimensions offer a low cost and efficient solution for low machine loads.

At the centre of the upper side of the cover a M8X27mm screw is incorporated for fixing the machine on the anti vibration mount. It is possible to achieve height regulation using two nuts with washer.

Applications

Vibro-EP Metal Micro can be used as an antivibration mount for: small aircompressors, pumps, fans, small generator sets, cutting machines, electric water pressure pumps etc.

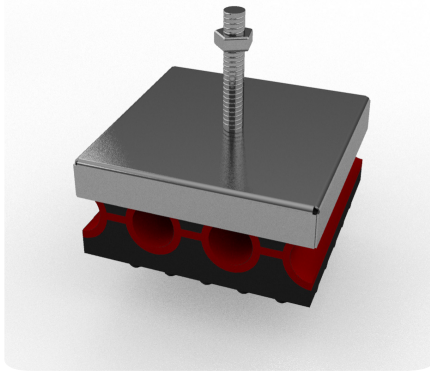
Vibro-EP METAL Micro Selection Table

RUBBER TYPE (Color Code)	MAX LOAD (daN)
Red	20
Blue	40

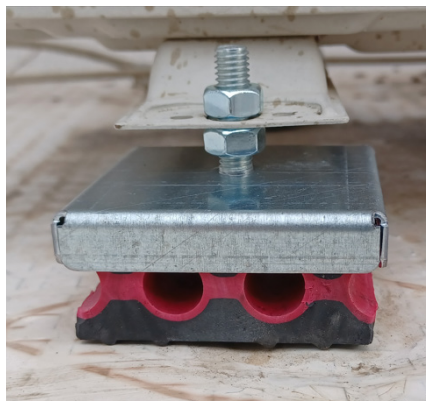
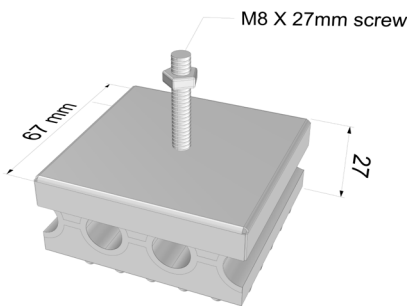
Dynamic Characteristics

Deflection 2.8 mm at maximum load

Natural Frequency: 10 Hz at maximum load



Vibro-EP Metal Micro



Vibro-EP Metal Micro with height regulation

Design and Production according to Quality Management System ISO 9001.2008 & Environmental Management System ISO 14001.2004