

# Vibro-CH mini 2

## ANTIVIBRATION HANGERS

### with Double Vibro-mini

#### DESCRIPTION

Vibro-CH mini 2 consist of:

- Steel frame with painted finish or galvanized metal.
- Rubber elements on the top & base for double deflection and high vibration isolation
- Different types of hanging (Not included)

#### APPLICATIONS

The hanger can be used at:

- Gypsumboard false Ceiling hangers
- Rotating machines (Fans, FCU, etc)
- Vibrating pipes or airducts
- Loudspeakers

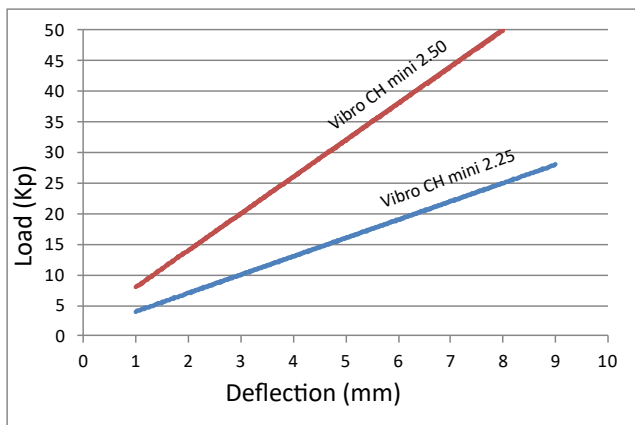
#### SELECTION TABLE

TYPE	LOAD RANGE (daN)
Vibro-CH mini 2.25	8 - 25
Vibro-CH mini 2.50	20 - 50

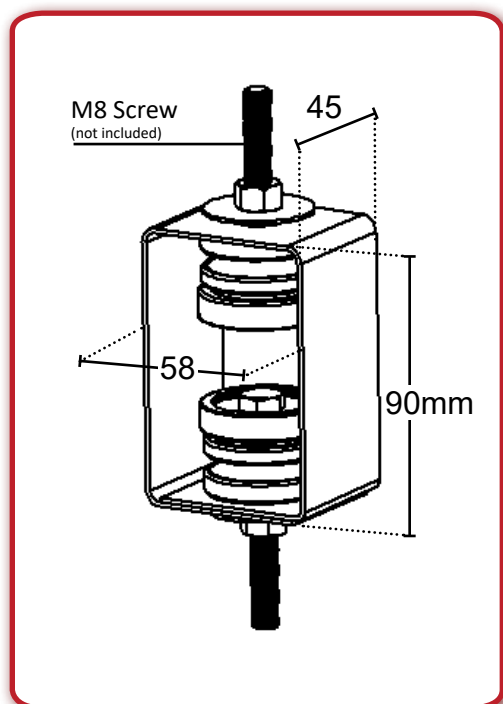
#### DYNAMIC CHARACTERISTICS

Deflection (At maximum load) : **8 mm**

Natural Frequency (at maximum load) : **7 Hz**



Vibro-CH mini 2



The technical data can be changed without notice

Design and Production according to Quality Management System **ISO 9001**  
& Environmental Management System **ISO 14001**