

Vibro-UCB.mini

Vibro-UCB.mini

U form sound isolation Ceiling Bracket

Description

Vibro-UCB.mini is a U form sound isolation bracket, used in a variety of wall and ceiling applications, where structural support combined with vibration isolation is required. That includes wall sway bracing, ceiling suspension and accessory hanging.

These hangers are used in timber joist ceilings, wall and ceiling systems restraint, for increased sound insulation in low and high frequency range.

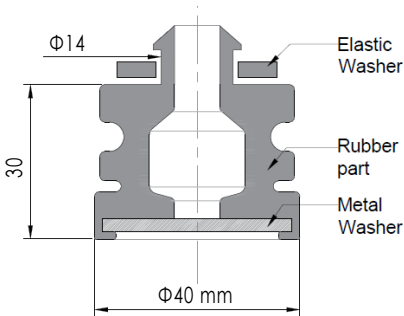
Main body:

- Mild steel to DIN EN 10111/10051 protected by zinc plate to DIN 50961.
- A hole 14 mm on the top
- A thread M6 hole at the bottom.
- Auxiliary lateral holes, for easy screw fixing.

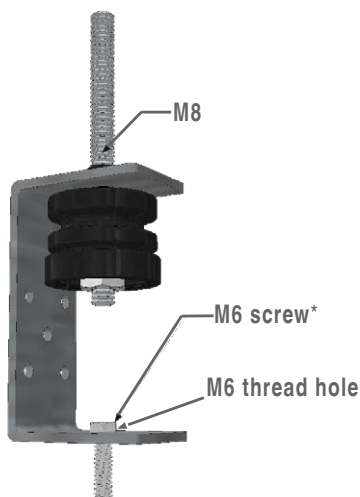
Vibration isolator: Vibro-mini rubber pad

Notice:

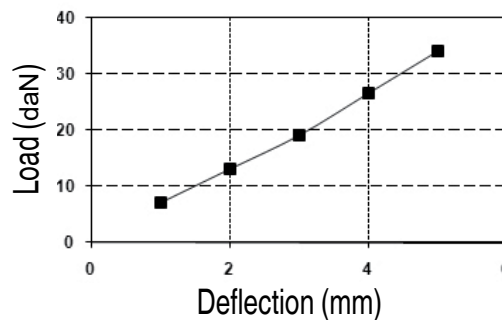
- The anchor rod of the suspension can be perpendicular.
- The rubber pad can be installed precompressed, by tightening the nut & washer on top of the bracket.
- The passing through screw prevents the machinery from falling in the event of elastic part fire destruction. (Fail Safe)
- Due to its pioneer design, the Vibro-mini gives big deflection (that means better anti-vibration results) when loaded.



Vibro-mini (section)



*Not included



Vibro-UCB.mini Selection Table

TYPE	LOAD RANGE (daN)
UCB.mini 20	8 - 20
UCB.mini 50	20 - 50

Design and Production according to Quality Management System ISO 9001.2008 & Environmental Management System ISO 14001.2004