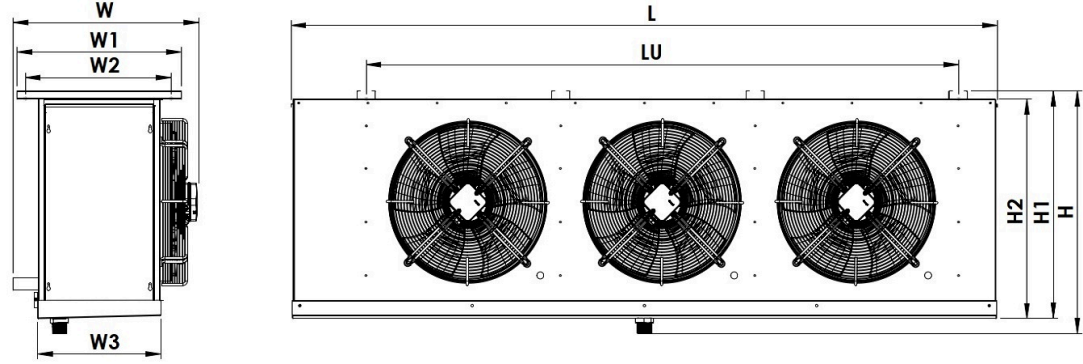




KSD30 312

Evaporator

Technical Specifications



Dimensions

L(mm) :	1660	H(mm) :	510	W(mm) :	470	LU(mm) :		H1(mm) :	460
H2(mm) :	460	W1(mm) :	390	W2(mm) :	360	W3(mm) :	290	ØDin :	1/2"
ØDout :	22								

Performance Data

Capacity	6,195.00 Watt	Heat Transfer Surface	28,66 m ²
Average Room Temperature	0.00 °C	Tube Volume	4 dm ³
Evaporation Temperature	-8.00 °C	Fin Spacing	4 mm
ΔT	8 K	Test Pressure / Max. Operating Pressure	35 bar
Refrigerant	R404A	Energy Efficiency Class	C
Altitude	0 m	Air Throw Distance	9,9 m

Evaporator Fan Data

Air Flow	3833 m ³ /h	Yes	IP 44 / Class B
Number of Fans / Fan Diameter / Fan Speed	3 / 300 mm / 1380 rpm	Operating Temperature Range	70
Nominal Total Power / Current	0.186 kW / 0.84 A	Sound Power Level (LWA)	65 dBA
Fan Voltage / Fan Frequency / Fan Phase	230 Volt / 50 Hz / 1 Ph	Sound Pressure Level (LPA)	43 dBA @ 3 m
Fan Arrangement	1x3		

Configuration

Configuration Name

Code

Fan Option	Without Fan	-
Casing Type	ESB Painted Galvanized Steel	-
Fin Material	Aluminum	-
Tube Type	Standard Thickness Tube	-
Defrost Type	No Defrost	-

Notes.

- Fan data are reference; EBM, Ziehl Abegg, etc. and may vary by brand and model.
- Sound pressure calculation standard: EN13487
- Energy Efficiency Class calculation standards: EN328 and Related Eurovent Standard. Standard Conditions: SC2,R404A
- All of the technical information is subject to change without notice.
- All of the performance and technical data according to default configuration.

BUZCELİK TERMİK CİHAZLAR SANAYİ A.Ş.

Adres : Konya 4. O.S.B. Büyük Kayacık Mh. 416 Sk. No:10 Selçuklu - KONYA / TURKEY
 Tel : +90 (332) 345 14 15 - 444 0 624 (Yurtiçi aramalar içindir); Fax : +90 332 345 33 99
 Email : info@buzcelik.com.tr