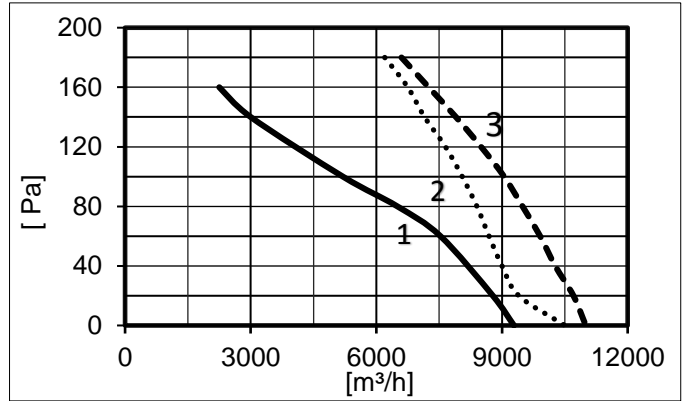
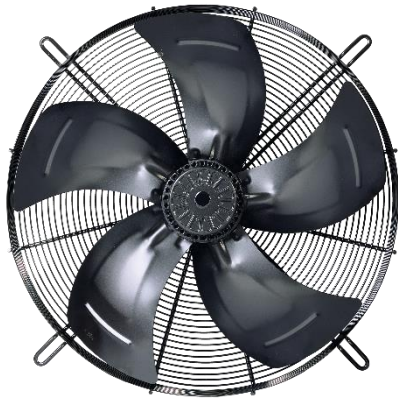


Large Axial Fans

600mm

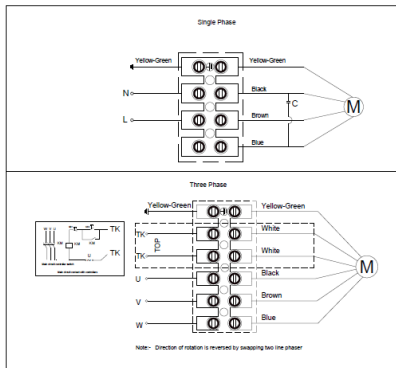


Bearing System : Ball
Material Blade : Sheet steel with powder coated
Material Of Guard Grill : Steel wire with powder coated
Type Protection : IP54
Motor Protection : Thermal Protection

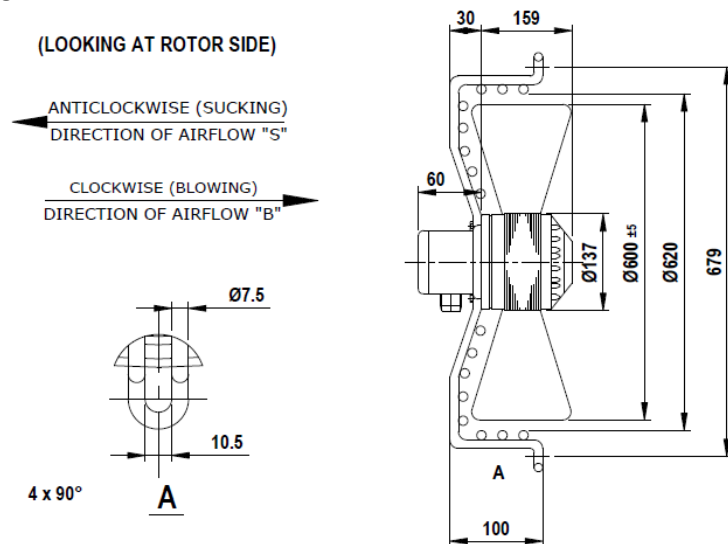
Balancing Grade : G6.3 (Two Plane)
Mode Operation : Continuous Operation
Insulation Class : Class F
Operating Temperature: -30°C To +60°C
Product Life : 30,000 hours (At 40 °C)

Model	Voltage	Frequency	Current	Speed	Watt	Air Flow	Air Flow	Noise	Capacitor	Curve
	V AC	Hz	A	RPM	W	CFM	M3/h	dBA	µf	
4E-600	230	50	3.2	1360	700	5909	10040	74	16	2
4D-600	415	50	1.6	1370	765	6478	11000	74	-	3
6D-600	415	50	1.46	950	520	6054	9285	70	-	1

Wiring Diagram:



Drawing:



Note:-
As Part of a green initiative, Hicool is constantly working to reduce power consumption without altering fan motor performance. Actual Current & Wattage readings can be lower than mentioned in datasheet & fan name plate.