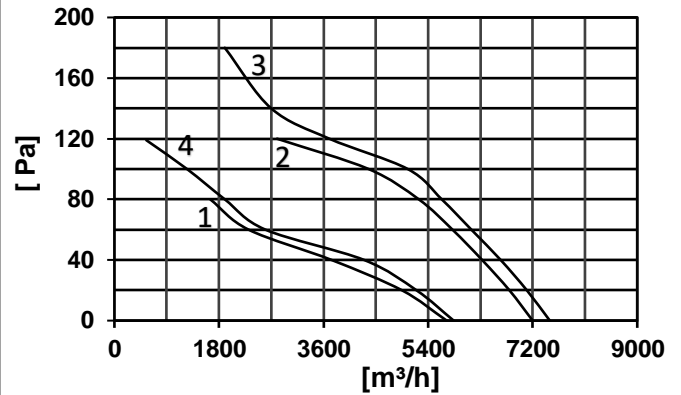


Large Axial Fans

500mm

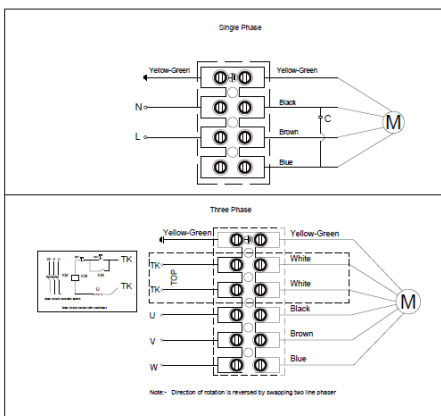


Bearing System : Ball
Material Blade : Sheet steel with powder coated
Material Of Guard Grill : Steel wire with powder coated
Type Protection : IP54
Motor Protection : Thermal Protection

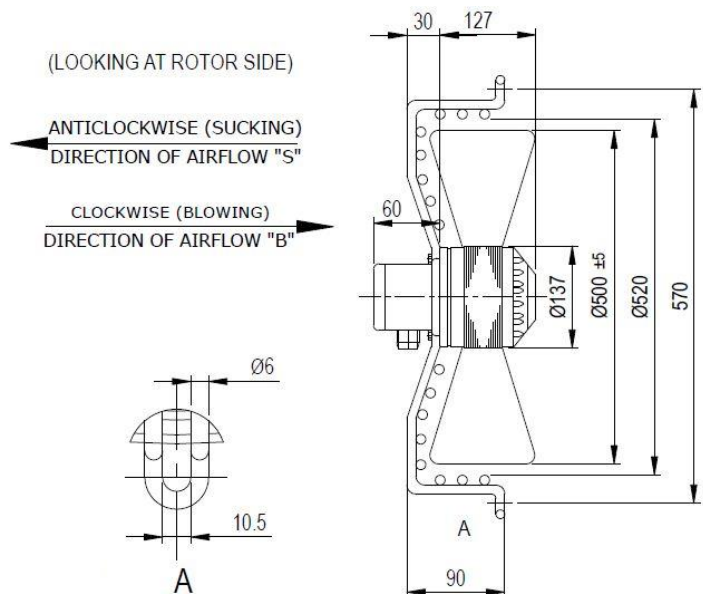
Balancing Grade : G6.3 (Two Plane)
Mode Operation : Continuous Operation
Insulation Class : Class F
Operating Temperature : -30°C To +60°C
Product Life : 30,000 hours (At 40 °C)

Model	Voltage	Frequency	Current	Speed	Watt	Air Flow	Air Flow	Noise	Capacitor	Curve
	V AC	Hz	A	RPM	W	CFM	M3/h	dBA	µf	
4E-500	230	50	1.75	1320	380	4237	7200	71	10	2
4D-500	415	50	1.20	1410	450	4355	7400	71	-	3
6E-500	230	50	1.15	950	230	3366	5720	66	8	1
6D-500	415	50	0.51	910	195	3437	5840	66	-	4

Wiring diagrams:



Drawing:



Note:-
 As Part of a green initiative, Hicool is constantly working to reduce power consumption without altering fan motor performance. Actual Current & Wattage readings can be lower than mentioned in datasheet & fan name plate.