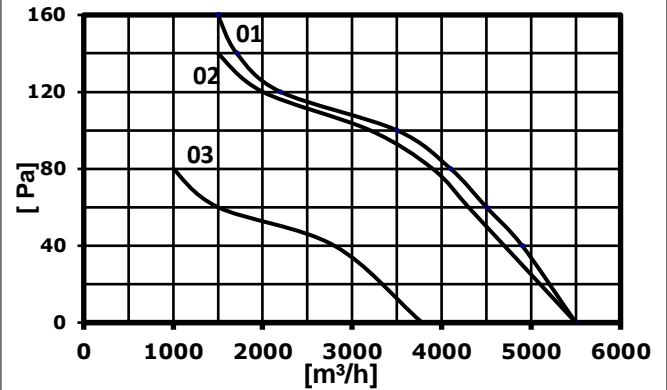


Large Axial Fans

450mm

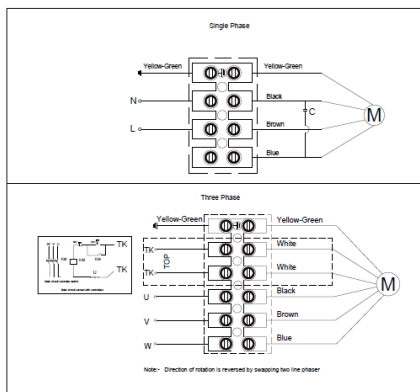


Bearing System : Ball
Material Blade : Sheet steel with powder coated
Material Of Guard Grill : Steel wire with powder coated
Type Protection : IP44
Motor Protection : Thermal Protection

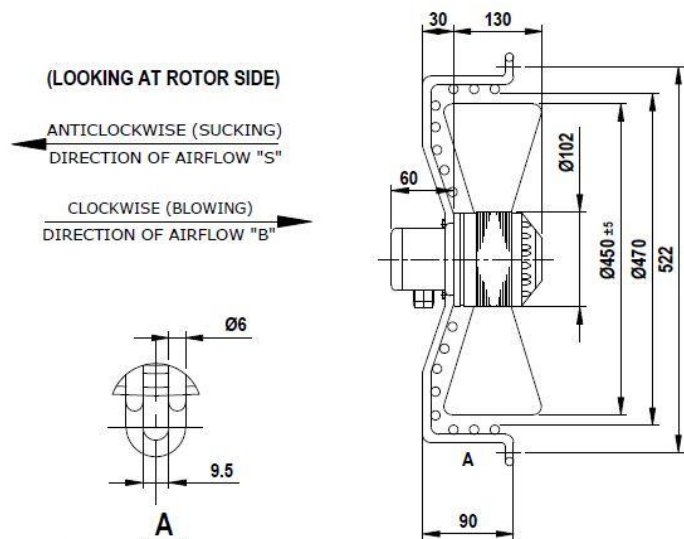
Balancing Grade : G6.3 (Two Plane)
Mode Operation : Continuous Operation
Insulation Class : Class F
Operating Temperature: -30°C To +60°C
Product Life : 30,000 hours (At 40 °C)

Model	Voltage	Frequency	Current	Speed	Watt	Air Flow	Air Flow	Noise	Capacitor	Curve
	V AC	Hz	A	RPM	W	CFM	M3/h	dBA	µf	
4E-450	230	50/60	1.2/1.23	1380/1580	250/285	3237/3708	5500/6300	66	8	2
4D-450	415	50/60	0.6/0.75	1380/1580	250/285	3237/3708	5500/6300	66	-	1
6E-450	230	50	0.75	920	138	2223	3780	61	4	3
6D-450	415	50	0.4	920	138	2223	3780	61	-	3

Wiring diagrams:



Drawing:



Note:-
 As Part of a green initiative, Hicool is constantly working to reduce power consumption without altering fan motor performance. Actual Current & Wattage readings can be lower than mentioned in datasheet & fan name plate.