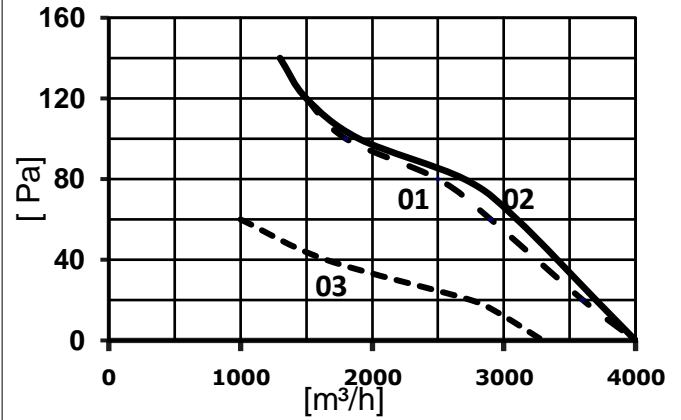


Large Axial Fans

400mm

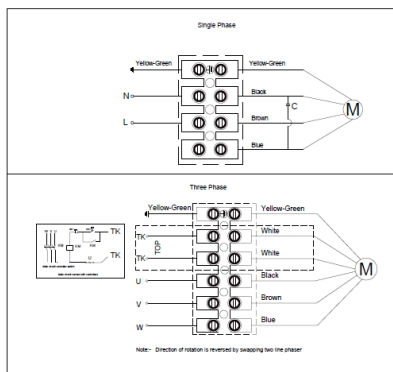


Bearing System : Ball
Material Blade : Sheet steel with powder coated
Material Of Guard Grill : Steel wire with powder coated
Type Protection : IP44
Motor Protection : Thermal Protection

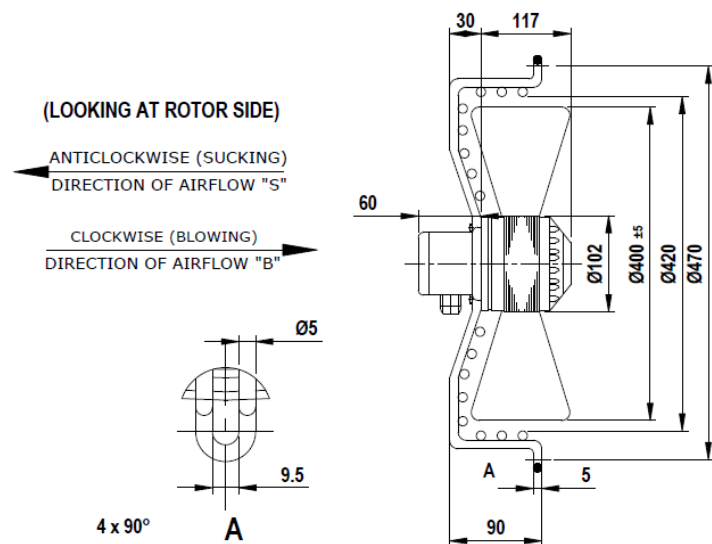
Balancing Grade : G6.3 (Two Plane)
Mode Operation : Continuous Operation
Insulation Class : Class F
Operating Temperature: -30°C To +60°C
Product Life : 30,000 hours (At 40 °C)

Model	Voltage	Frequency	Current	Speed	Watt	Air Flow	Air Flow	Noise	Capacitor	Curve
	V AC	Hz	A	RPM	W	CFM	M3/h	dB(A)	µf	
4E-400	230	50	0.82	1380	180	2354	4000	65	6	1
4D-400	415	50	0.47	1380	180	2354	4000	65	-	2
6E-400	230	50	0.52	920	108	1942	3300	59	4	3

Wiring Diagram:



Drawing:



Note:-
As Part of a green initiative, Hicool is constantly working to reduce power consumption without altering fan motor performance. Actual Current & Wattage readings can be lower than mentioned in datasheet & fan name plate.