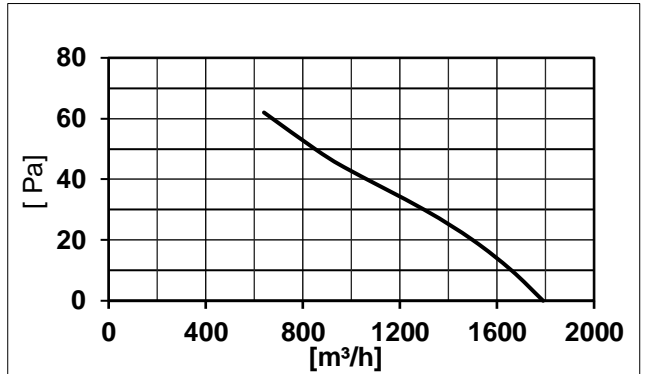


## Large Axial Fans

## 350mm

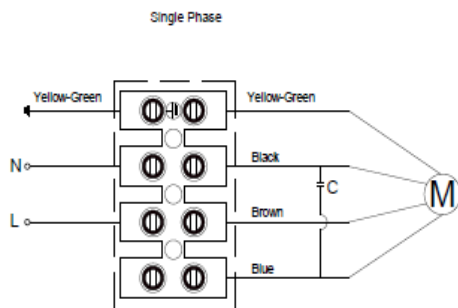


**Bearing System** : Ball  
**Material Blade & Frame** : Sheet steel with powder coated  
**Material Of Guard Grill** : Steel wire with powder coated  
**Type Protection** : IP44  
**Motor Protection** : Thermal Protection

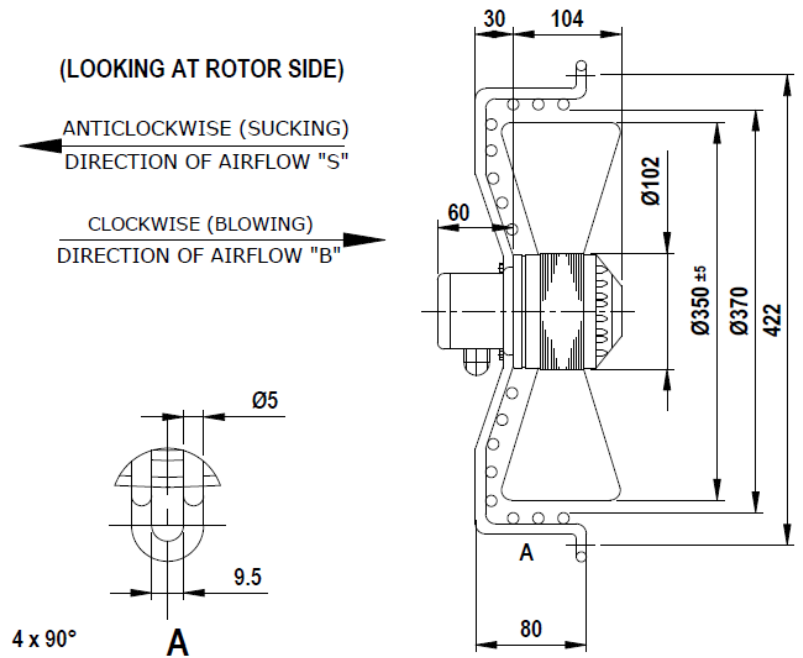
**Balancing Grade** : G6.3 (Two Plane)  
**Mode Operation** : Continuous Operation  
**Insulation Class** : Class F  
**Operating Temperature**: -30°C To +60°C  
**Product Life** : 30,000 hours (At 40 °C)

| Model  | Voltage | Frequency | Current  | Speed     | Watt     | Air Flow | Air Flow | Noise | Capacitor |
|--------|---------|-----------|----------|-----------|----------|----------|----------|-------|-----------|
|        | V AC    | Hz        | A (±20%) | RPM (±5%) | W (±20%) | CFM      | M3/h     | dBA   | µf        |
| 6E-350 | 230     | 50        | 0.40     | 920       | 80       | 1053     | 1790     | 56    | 3         |

### Wiring Diagram:



### Drawing:



Prepared By :- Samruddhi P./Amol K.

Approved By :- Brijesh M.

Note:-  
As Part of a green initiative, Hicool is constantly working to reduce power consumption without altering fan motor performance. Actual Current & Wattage readings can be lower than mentioned in datasheet & fan name plate.