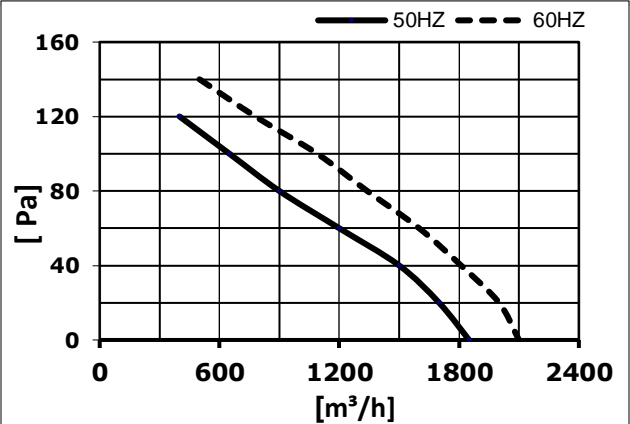


## Large Axial Fans

## 300mm

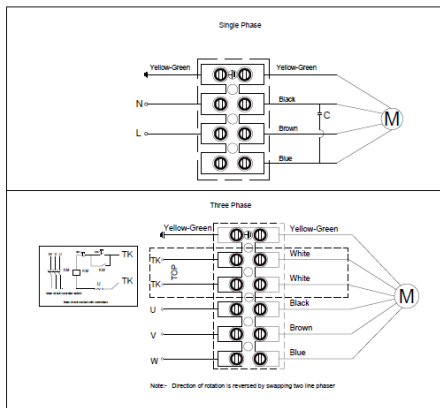


**Bearing System** : Ball  
**Material Blade** : Sheet steel with powder coated  
**Material Of Guard Grill** : Steel wire with powder coated  
**Type Protection** : IP44  
**Motor Protection** : Thermal Protection

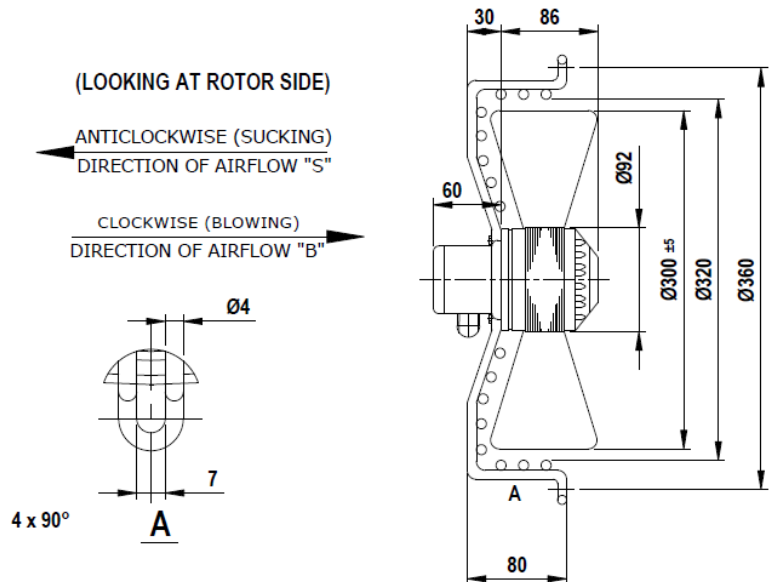
**Balancing Grade** : G6.3 (Two Plane)  
**Mode Operation** : Continuous Operation  
**Insulation Class** : Class F  
**Operating Temperature**: -30°C To +60°C  
**Product Life** : 30,000 hours (At 40 °C)

Model	Voltage	Frequency	Current	Speed	Watt	Air Flow	Air Flow	Noise	Capacitor
	V AC	Hz	A	RPM	W	CFM	M3/h	dBA	µf
4E-300	230	50/60	0.42/0.50	1380/1550	85/115	1089/1240	1850/2100	54/56	3
4D-300	415	50	0.22	1380	75	1089	1850	54	-

### Wiring diagram:



### Drawing:



Note:- As Part of a green initiative, Hicool is constantly working to reduce power consumption without altering fan motor Performance. Actual Current & Wattage readings Can be lower than mentioned in datasheet & fan name plate.