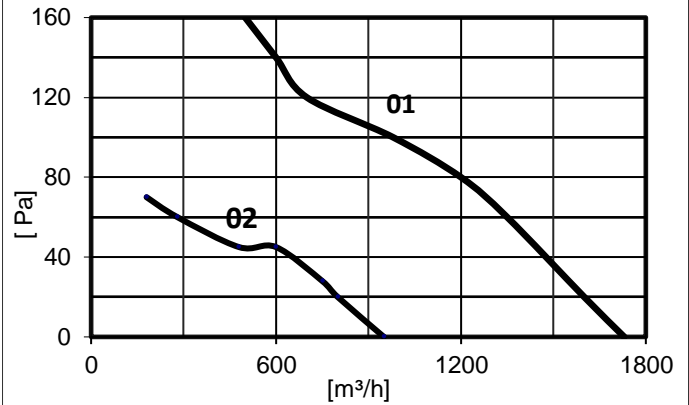


Large Axial Fans

250mm

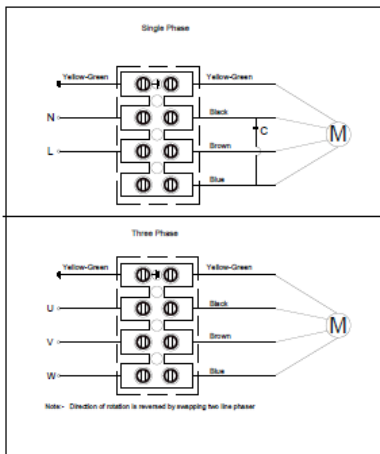


Bearing System : Ball
Material Blade : Sheet steel with powder coated
Material Of Guard Grill : Steel wire with powder coated
Type Protection : IP44
Motor Protection : Thermal Protection

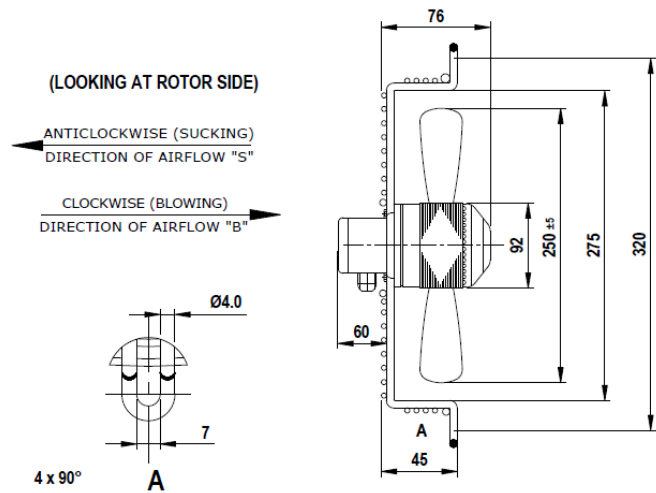
Balancing Grade : G6.3 (Two Plane)
Mode Operation : Continuous Operation
Insulation Class : Class F
Operating Temperature: -30°C To +60°C
Product Life : 30,000 hours (At 40 °C)

Model	Voltage	Frequency	Current	Speed	Watt	Air Flow	Air Flow	Noise	Capacitor	Curve
	V AC	Hz	A	RPM	W	CFM	M3/h	dBA	µf	
4E-250	230	50	0.30	1400	60	559	950	53	2	2
2E-250	230	50	0.55	2400	115	1018	1730	65	3	1
4D-250	415	50	0.25	1400	60	559	950	53	-	2
2D-250	415	50	0.25	2400	115	1018	1730	65	-	1

Wiring diagram:-



Drawing:-



Note:-
As Part of a green initiative, Hicool is constantly working to reduce power consumption without altering fan motor Performance. Actual Current & Wattage readings Can be lower than mentioned in datasheet & fan name plate.