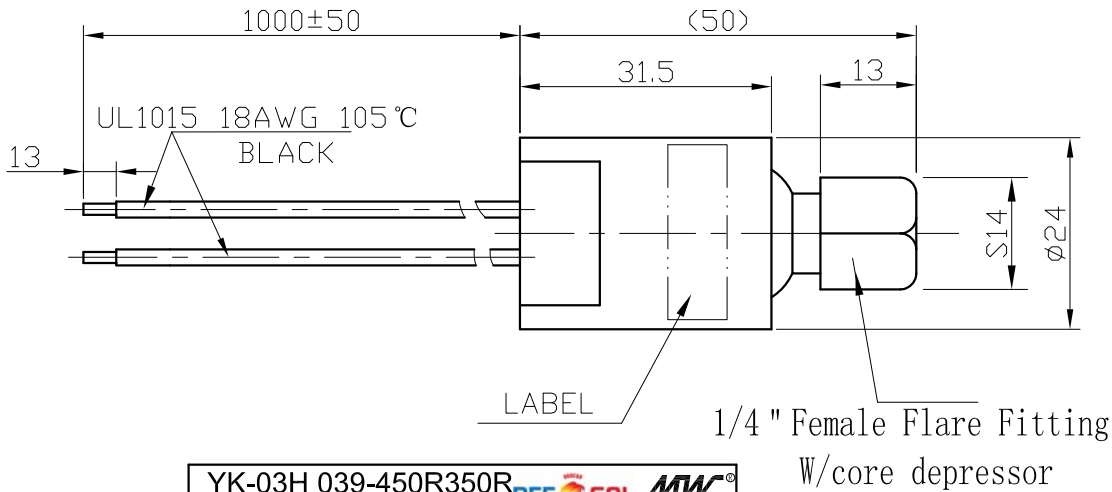


**RoHS Compliant**

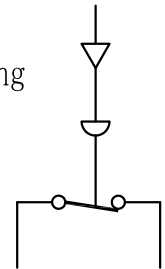
REVISION: 02

UNIT:mm



YK-03H 039-450R350R  
 OPEN: 450 ± 15 PSI  
 CLOSE: 350 ± 15 PSI  
 XXXXXX 250V 6A

DATE CODE



BEFORE INSTALLATION ON UNIT  
 SWITCH NORMALLY CLOSED

TECHNICAL SPECIFICATIONS

OPEN PRESSURE . . . . .	450 ± 15 PSI
CLOSE PRESSURE . . . . .	350 ± 15 PSI
TEST PRESSURE . . . . .	650 PSI
BURST PRESSURE . . . . .	5000 PSI
TEMPERATURE RANGE . . . . .	Ambient: -30°C to +80°C Fluid: -50°C to +120°C
ELECTRICAL RATING . . . . .	50/60Hz 250V 6A
INSULATION RESISTANCE . . . . .	DC500V, LARGER THAN 100MΩ
CONTACT RESISTANCE BETWEEN TERMINALS . . . . .	LESS THAN 50mΩ
DIELECTRIC STRENGTH . . . . .	1550 VRMS terminals to fitting
UL RECOGNIZED . . . . .	FILE SA13309, CCN SDFY8
CE RECOGNIZED . . . . .	40000571
LIFE AT RATED LOAD . . . . .	100,000 Cycles
SWITCH CONFIGURATION . . . . .	SPST

Changzhou Match-well Pressure Control Technology Co., Ltd.	CUSTOMER NAME:
	CUSTOMER P/N:
	Match-well P/N: YK-03H 039-450R350R
DRAWING DATE: September 12, 2019	<b>Pressure Controls</b>