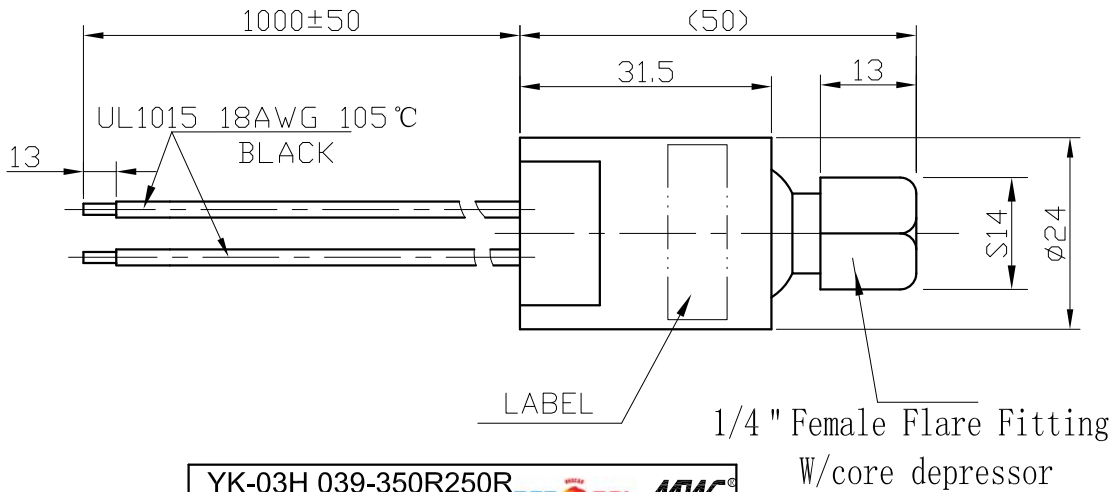


**RoHS Compliant**

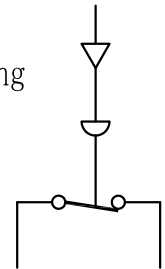
REVISION: 01

UNIT:mm



**YK-03H 039-350R250R**  
 OPEN: 350 ± 15 PSI  
 CLOSE: 250 ± 15 PSI  
 XXXXXX 250V 6A

DATE CODE



BEFORE INSTALLATION ON UNIT  
SWITCH NORMALLY CLOSED

TECHNICAL SPECIFICATIONS

|                                      |   |
|--------------------------------------|---|
| OPEN PRESSURE                        | 350 ± 15 PSI                                      |
| CLOSE PRESSURE                       | 250 ± 15 PSI                                      |
| TEST PRESSURE                        | 650 PSI   |
| BURST PRESSURE                       | 5000 PSI  |
| TEMPERATURE RANGE                    | Ambient: -30°C to +80°C<br>Fluid: -50°C to +120°C |
| ELECTRICAL RATING                    | 50/60Hz 250V 6A                                   |
| INSULATION RESISTANCE                | DC500V, LARGER THAN 100MΩ                         |
| CONTACT RESISTANCE BETWEEN TERMINALS | LESS THAN 50mΩ                                    |
| DIELECTRIC STRENGTH                  | 1550 VRMS terminals to fitting                    |
| UL RECOGNIZED                        | FILE SA13309, CCN SDFY8                           |
| CE RECOGNIZED                        | 40000571  |
| LIFE AT RATED LOAD                   | 100,000 Cycles                                    |
| SWITCH CONFIGURATION                 | SPST  |

|  |                                     |
|--|-------------------------------------|
| Changzhou Match-well Pressure Control Technology Co., Ltd. | CUSTOMER NAME:                      |
|  | CUSTOMER P/N:                       |
|  | Match-well P/N: YK-03H 039-350R250R |
| DRAWING DATE: August 3, 2021                               | <b>Pressure Controls</b>            |