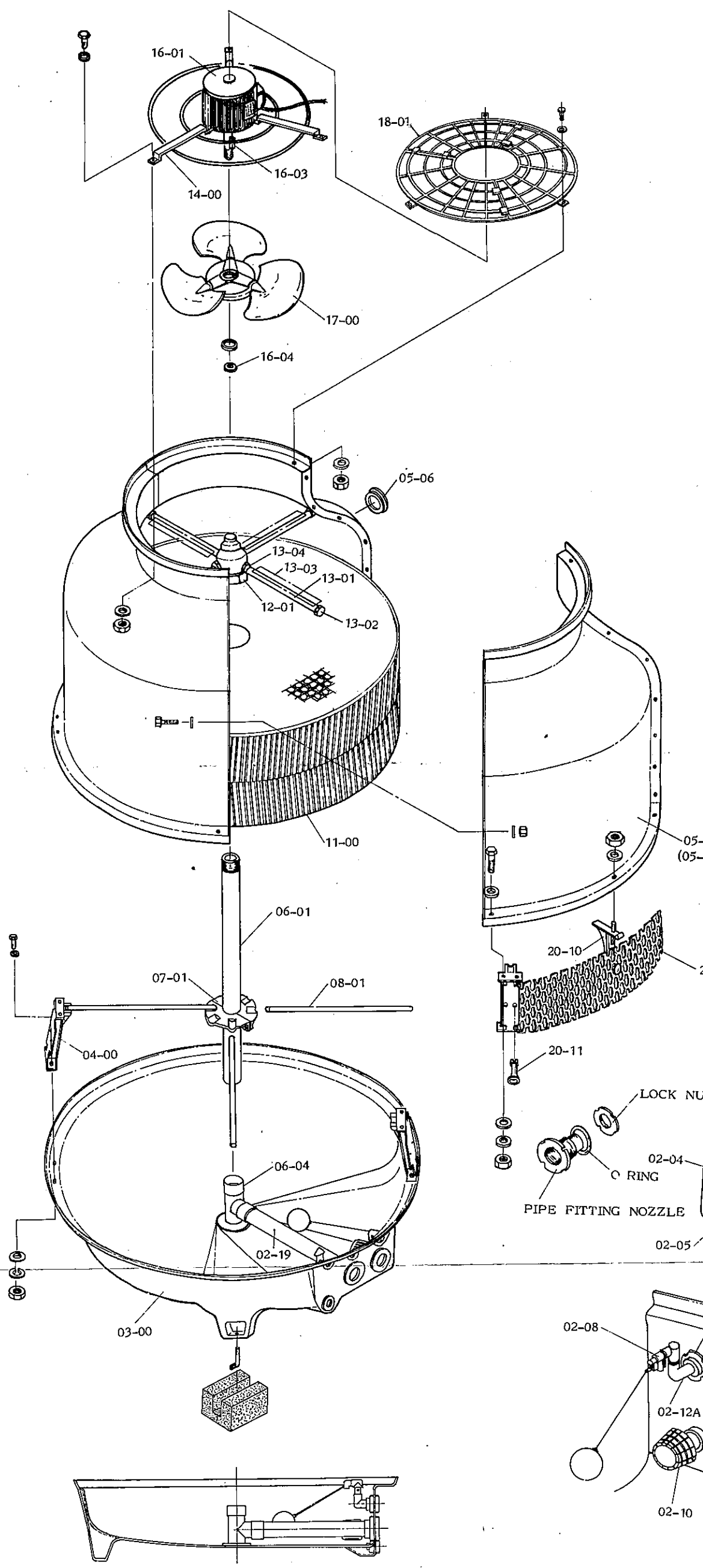


LBC-3~30 ASSEMBLY INSTRUCTIONS



PARTS TABLE

REF NO.	DESCRIPTION	Q'ty					
		LBC 3	LBC 5-8	LBC 10	LBC 15-20	LBC 25	LBC 30
02-02	Outlet Nozzle	1	1	1	1	1	1
02-03	Inlet Nozzle	1	1	1	1	1	1
02-04	Over Flow Nozzle	1	1	1	1	1	1
02-05	Drain Nozzle	1	1	1	1	1	1
02-06	Automatic Filler Nozzle	1	1	1	1	1	1
02-07	Quick Filler Nozzle	-	1	1	1	1	1
02-08	Float Valve Ass'y	1	1	1	1	1	1
02-09	Over Flow	1	1	1	1	1	1
02-10	Suction Strainer	1	1	1	1	1	1
02-12A	Z Type Connector	1	1	1	1	1	1
02-16	Elbow	1	1	1	1	1	1
02-19	Inlet Pipe	1	1	1	1	1	1
03-00	Water Basin	1	1	1	1	1	1
04-00	Casing Supportor	3	3	3	3	3	4
05-00	Casing Ass'y	1	-	-	-	-	-
05-01A	Casing	-	3	3	3	3	4
05-06	Hand Hole Cover	1	1	1	1	1	1
06-01	Stand Pipe	1	1	1	1	1	1
06-04	Stand Pipe Base	1	1	1	1	1	1
07-01	Stopper	1	1	1	1	1	1
08-01	Filling Supportor-A	3	3	3	3	3	4
11-00	Filling	2	2	2	2	2	2
12-01	Sprinkler Head	1	1	1	1	1	1
13-01	Sprinkler Pipe	2	4	4	4	4	4
13-02	End Cap	-	-	-	-	4	4
13-03	Eliminator	-	-	-	-	-	4
13-04	Lock Nut	2	4	4	4	4	4
14-00	Motor Frame Ass'y	1	1	1	1	1	1
16-01	Fan Motor	1	1	1	1	1	1
16-03	Fan Key	1	1	1	1	1	1
16-04	Fasten Nut	1	1	1	1	1	1
17-00	Fan Ass'y	1	1	1	1	1	1
18-01	Fan Guard	1	1	1	1	1	1
20-02	Inlet Louver	3	3	3	3	3	4
20-10	Louver Bracket	-	-	3	6	6	8
20-11	Knob Pin	6	6	6	6	6	8
OTHERS	BOLTS & NUTS	1 Set					

*Please Check The Above Mentioned Parts Within Two Weeks After The Goods Received.