



LIANG CHI INDUSTRY (THAILAND) CO., LTD.

COUNTER FLOW INDUCED DRAFT LBC TYPE COOLING TOWER SPECIFICATION

DATE :
 TOWER MODEL NO. : LBC - T - 8
 NO. OF SETS : 1

DESIGN & OPERATING CONDITIONS

WATER FLOW RATE. : 87 LPM.
 HOT WATER TEMP. : 37 °C
 COLD WATER TEMP : 32 °C
 AMB. WET BULB TEMP. : 28 °C
 FAN B.H.P. : 0.139 BHP
 TOWER PUMP HEAD : 1.7 M
 DRIFT LOSS OF WATER FLOW RATE : 0.2 %
 EVAPORATION LOSS OF WATER FLOW RATE : 0.83 %
 DESIGN WIND LOAD : 150 Kg / M²

STRUCTURAL DETAILS

OVERALL DIMENSION : 860 MM
 DRY WEIGHT : 50 Kg
 OPERATING WEIGHT PER TOWER : 127 Kg

CONSTRUCTION

TOWER SUPPORTER FRAME ASS'Y : F.R.P.
 CASING : F.R.P.
 CASING SUPPORTOR : NYLON
 COLD WATER BASIN : F.R.P.
 FILLING : P.V.C.
 FILLING SUPPORTOR : H.D.G.S.
 MECHANICAL EQUIPMENT SUPPORTOR : H.D.G.S.
 INLET LOUVER : P.V.C.
 BOLTS,NUTS & WASHERS : C.P.S.

LIANG CHI IND. (THAILAND) CO., LTD.	
TECHNIC DEPT.	
<input type="checkbox"/>	FOR REFERENCE
<input checked="" type="checkbox"/>	FOR APPROVAL
<input type="checkbox"/>	APPROVED
<input type="checkbox"/>	OTHER.....
DATE :	
TECHNIC BY :	



LIANG CHI INDUSTRY (THAILAND) CO., LTD.

COUNTER FLOW INDUCED DRAFT LBC TYPE COOLING TOWER SPECIFICATION

WATER DISTRIBUTION

STAND PIPE : P.V.C.
 SPRINKLER HEAD : NYLON
 MODEL : LSH - 040
 SPRINKLER PIPE : P.E.

MECHANICAL EQUIPMENTS

FAN UNIT

NO. OF UNIT : 1 UNIT / SET
 TYPE : AXIAL FLOW
 MODEL : LSF-050
 MANUFACTUROR : LIANG CHI IND.CO.,LTD.
 DIAMETER : 500 MM
 NO. OF BLADES : 3
 FAN SPEED : 945 RPM
 TIP SPEED : 24.8 M/S
 BLADE MATERIAL : NYLON
 HUP MATERIAL : NYLON
 AIR VOLUME : 75 M³ / MIN/SET

FAN MOTOR

NO. OF UNIT : 1 UNIT / SET
 TYPE : TEFC
 INSULATION : CLASS F IP55
 MANUFACTUROR : LIANG CHI
 SPEED : 945 RPM
 RATED H.P : 1/6 H.P * 6P
 POWER SOURCE (VOLT / PHASE / HZ) : 380 / 3 / 50

LIANG CHI IND. (THAILAND) CO., LTD.	
TECHNIC DEPT.	
<input type="checkbox"/>	FOR REFERENCE
<input checked="" type="checkbox"/>	FOR APPROVAL
<input type="checkbox"/>	APPROVED
<input type="checkbox"/>	OTHER.....
DATE :	
TECHNIC BY :	



LIANG CHI INDUSTRY (THAILAND) CO., LTD.

COUNTER FLOW INDUCED DRAFT LBC TYPE COOLING TOWER SPECIFICATION

<u>PIPING CONNECTION</u>		SIZE		QTY / SET
WATER INLET	:	1 1/2	B (40 A)	1
WATER OUTLET	:	1 1/2	B (40 A)	1
AUTO FILL	:	1/2	B (15 A)	1
QUICK FILL	:	1/2	B (15 A)	1
OVER FLOW	:	1	B (25 A)	1
DRAIN	:	1	B (25 A)	1

REMARK

F.R.P : FIBERGLASS REINFORCE PLASTIC

H.D.G.S : HOT DIP GALVALNIZED STEEL

A.A. : ALUMINIUM ALLOY

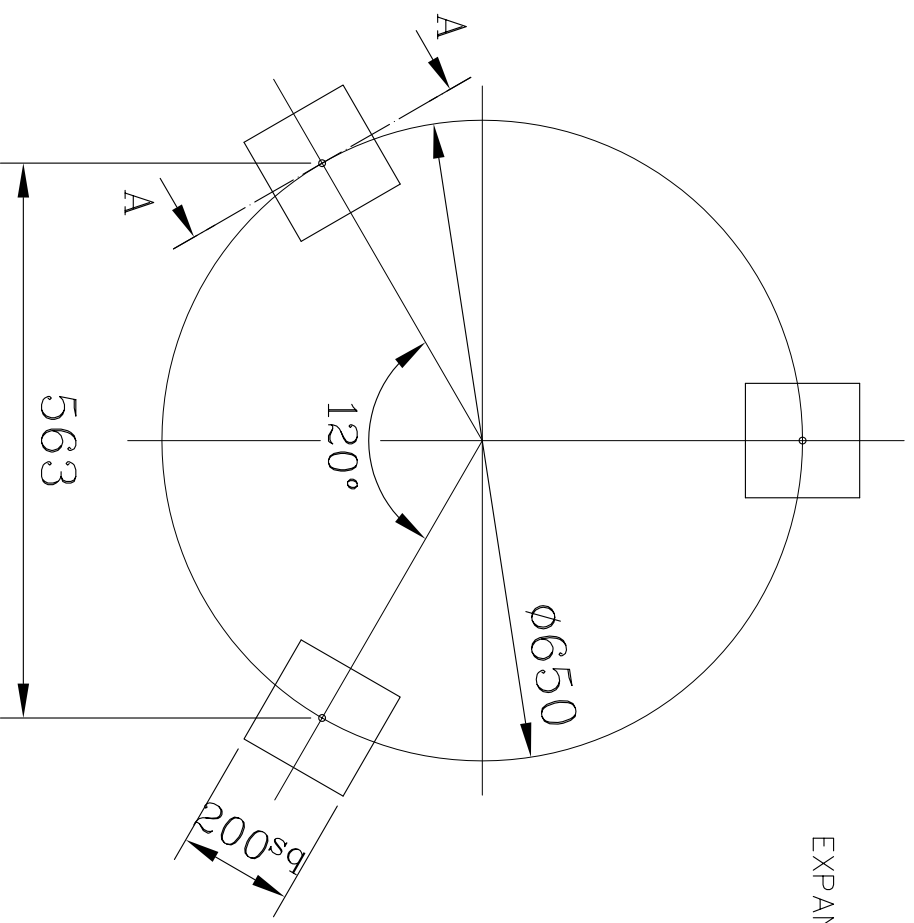
C.P.S. : CHROMATED - PLATING STEEL

DESIGNED : 

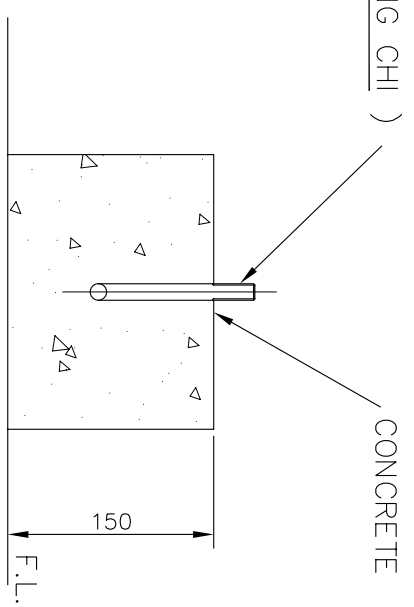
CHECK : 

APPROVE : 

LIANG CHI IND. (THAILAND) CO., LTD.	
TECHNIC DEPT.	
<input type="checkbox"/>	FOR REFERENCE
<input checked="" type="checkbox"/>	FOR APPROVAL
<input type="checkbox"/>	APPROVED
<input type="checkbox"/>	OTHER.....
DATE :	
TECHNIC BY :	



EXPANSION BOLT (BY LIANG CHI)



A-A SECTION

- REMARK :
1. THIS FOUNDATION DRAWING IS PROVIDED FOR END USER'S REFERENCE.
 2. COOLING TOWER DOES NOT INCLUDE FOUNDATION
 3. THE LEVEL TOLERANCE OF FOUNDATION IS ±2 mm.
 4. THE HEIGHT OF FOUNDATION EXCLUDES THERMAL ISOLATOR AND WATER PROOF.
 - * 5. EXPANSION BOLT & RUBBER PAD SHALL BE FURNISHED BY LIANG CHI
(PLEASE DON'T PREPARE HOLE OF EXPANSION BOLT BEFORE INSTALLATION)

LIANG CHI IND. (THAILAND) CO.,LTD
TECHNIC DEPT.

FOR REFERENCE
 FOR APPROVAL
 APPROVAL
 OTHER.....

DATE :
TECHNIC BY :

Water Inlet

REV.	DATE	DWG BY	APP.	NOTE
TITLE Concrete Foundation				
APP.	K.Somnongs		DESIGN	Amnat
CHECK	SURASAK		DWG BY	Amnat
LIANG CHI INDUSTRY (THAILAND) CO., LTD. 223 Moo 9 Tab-Yaolad-Krabang Bangkok 10520 (NUM KRAL INDUSTRIAL ZONE LUANG-PAENG RD.)				MM
				DWG-NO
				LBC-T-8-02

