



LIANG CHI INDUSTRY (THAILAND) CO., LTD.

COUNTER FLOW INDUCED DRAFT LBC TYPE COOLING TOWER SPECIFICATION

DATE :
 TOWER MODEL NO. : LBC - T - 50
 NO. OF SETS : 1

DESIGN & OPERATING CONDITIONS

WATER FLOW RATE. : 559 LPM.
 HOT WATER TEMP. : 37 °C
 COLD WATER TEMP : 32 °C
 AMB. WET BULB TEMP. : 28 °C
 FAN B.H.P. : 1.25 BHP
 TOWER PUMP HEAD : 2 M
 DRIFT LOSS OF WATER FLOW RATE : 0.2 %
 EVAPORATION LOSS OF WATER FLOW RATE : 0.83 %
 DESIGN WIND LOAD : 150 Kg / M²

STRUCTURAL DETAILS

OVERALL DIMENSION : 2000 MM
 DRY WEIGHT : 197 Kg
 OPERATING WEIGHT PER TOWER : 597 Kg

CONSTRUCTION

TOWER SUPPORTER FRAME ASS'Y : F.R.P.
 CASING : F.R.P.
 CASING SUPPORTOR : NYLON
 COLD WATER BASIN : F.R.P.
 FILLING : P.V.C.
 FILLING SUPPORTOR : H.D.G.S.
 FAN GUARD : H.D.G.S.
 MECHANICAL EQUIPMENT SUPPORTOR : H.D.G.S.
 INLET LOUVER : P.V.C.
 BOLTS,NUTS & WASHERS : C.P.S.

LIANG CHI IND. (THAILAND) CO., LTD.	
TECHNIC DEPT.	
<input type="checkbox"/>	FOR REFERENCE
<input checked="" type="checkbox"/>	FOR APPROVAL
<input type="checkbox"/>	APPROVED
<input type="checkbox"/>	OTHER.....
DATE :	
TECHNIC BY :	



LIANG CHI INDUSTRY (THAILAND) CO., LTD.

COUNTER FLOW INDUCED DRAFT LBC TYPE COOLING TOWER SPECIFICATION

WATER DISTRIBUTION

STAND PIPE : P.V.C.
 SPRINKLER HEAD : NYLON
 MODEL : LSH - 080
 SPRINKLER PIPE : P.V.C.

MECHANICAL EQUIPMENTS

FAN UNIT

NO. OF UNIT : 1 UNIT / SET
 TYPE : AXIAL FLOW
 MODEL : LSF-100
 MANUFACTUROR : LIANG CHI IND.CO.,LTD.
 DIAMETER : 970 MM
 NO. OF BLADES : 3
 FAN SPEED : 940 RPM
 TIP SPEED : 47.7 M/S
 BLADE MATERIAL : A.A.
 HUP MATERIAL : PLASTIC
 AIR VOLUME : 330 M³ / MIN/SET

FAN MOTOR

NO. OF UNIT : 1 UNIT / SET
 TYPE : TEFC
 INSULATION : CLASS F IP55
 MANUFACTUROR : LIANG CHI
 SPEED : 940 RPM
 RATED H.P : 2 H.P * 6P
 POWER SOURCE (VOLT / PHASE / HZ) : 380 / 3 / 50

LIANG CHI IND. (THAILAND) CO., LTD.	
TECHNIC DEPT.	
<input type="checkbox"/>	FOR REFERENCE
<input checked="" type="checkbox"/>	FOR APPROVAL
<input type="checkbox"/>	APPROVED
<input type="checkbox"/>	OTHER.....
DATE :	
TECHNIC BY :	



LIANG CHI INDUSTRY (THAILAND) CO., LTD.

COUNTER FLOW INDUCED DRAFT LBC TYPE COOLING TOWER SPECIFICATION

<u>PIPING CONNECTION</u>		SIZE		Q'TY / SET
WATER INLET	:	3	B (80 A)	1
WATER OUTLET	:	3	B (80 A)	1
AUTO FILL	:	3/4	B (20 A)	1
QUICK FILL	:	3/4	B (20 A)	1
OVER FLOW	:	1	B (25 A)	1
DRAIN	:	2	B (50 A)	1


REMARK

F.R.P : FIBERGLASS REINFORCE PLASTIC

H.D.G.S : HOT DIP GALVALNIZED STEEL

A.A. : ALUMINIUM ALLOY

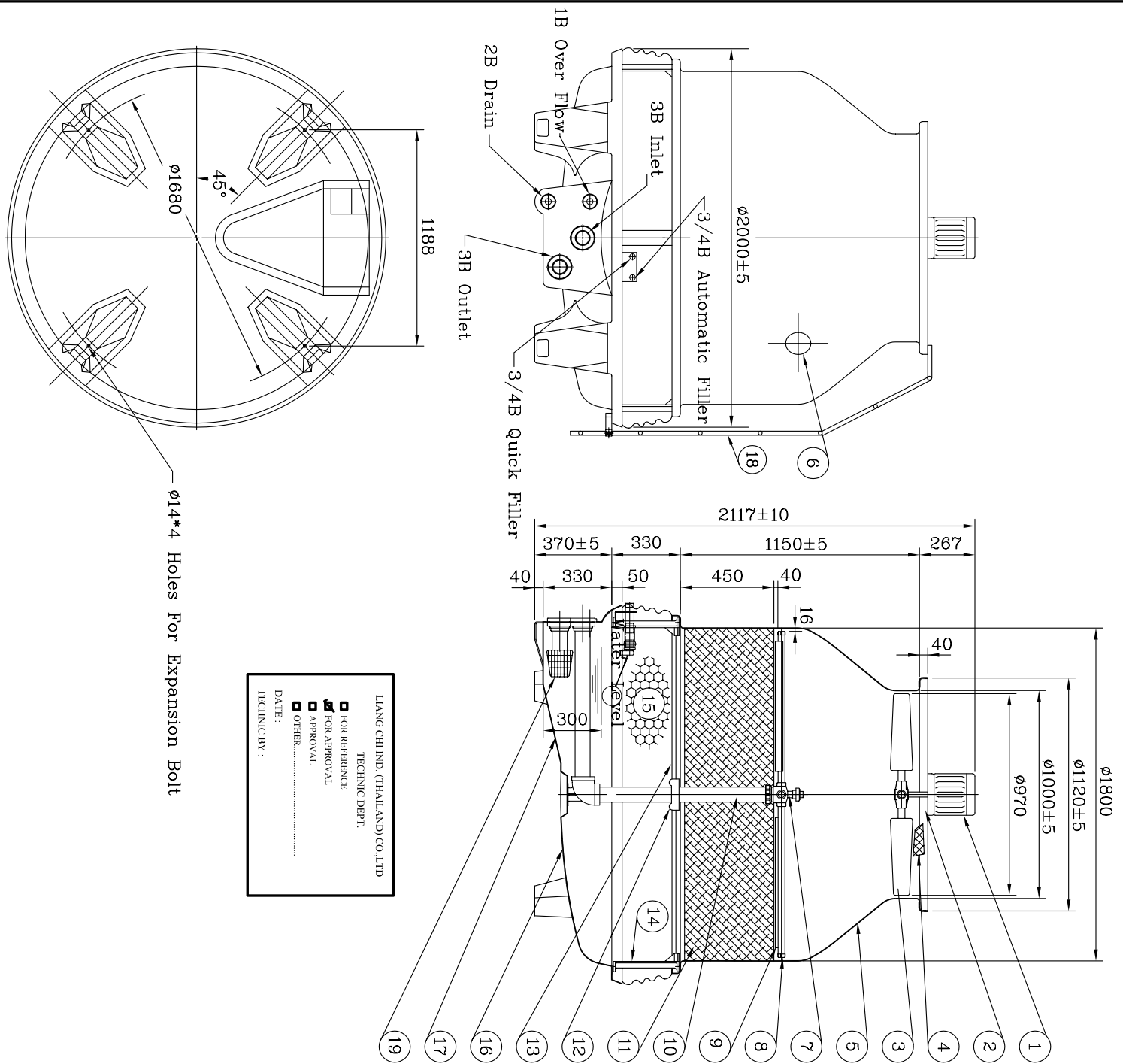
C.P.S. : CHROMATED - PLATING STEEL

DESIGNED :


CHECK :


APPROVE :


LIANG CHI IND. (THAILAND) CO., LTD.	
TECHNIC DEPT.	
<input type="checkbox"/>	FOR REFERENCE
<input checked="" type="checkbox"/>	FOR APPROVAL
<input type="checkbox"/>	APPROVED
<input type="checkbox"/>	OTHER.....
DATE :	
TECHNIC BY :	



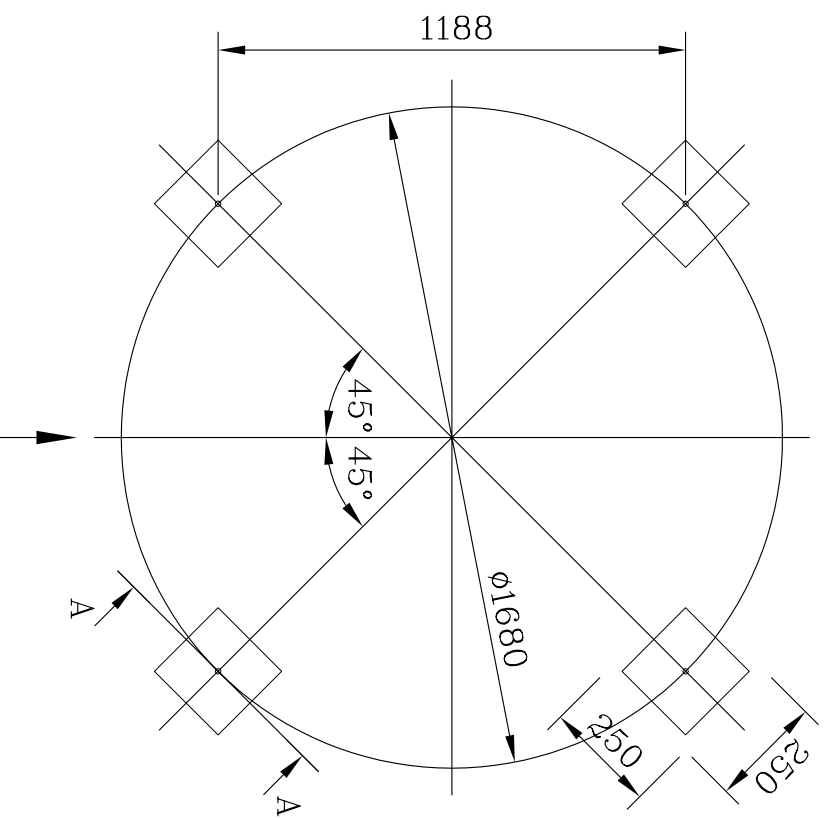
LIANG CHU IND. (THAILAND) CO., LTD
 TECHNIC DEPT.
 FOR REFERENCE
 FOR APPROVAL
 APPROVAL
 OTHER.....
 DATE :
 TECHNIC BY :

Ø14*4 Holes For Expansion Bolt

Description	M.T	Specification	Q'ty
1 Fan Motor		2HP*6P	1 PCS
2 Motor Framework Ass'y	H.D.G.S		1 PCS
3 Fan	A.A.	LSF-100	1 SET
4 Fan Guard	H.D.G.S.		1 SET
5 Casing	F.R.P.		4 PCS
6 Hand Hole	E.V.A		1 PCS
7 Sprinkler Head	NYLON	LSH-080	1 PCS
8 Sprinkler Pipe	P.V.C.		4 PCS
9 Eliminator	P.V.C.		4 PCS
10 Stand Pipe	P.V.C.		1 POS
11 Filling	P.V.C.		1 SET
12 Stopper or Column	A.A.		1 SET
13 Filling Supporter	H.D.G.S		1 SET
14 Casing Supporter	NYLON		4 PCS
15 Inlet Louver	P.V.C.		1 SET
16 Water Basin	F.R.P.		2 PCS
17 Water Sump	F.R.P.		1 PCS
18 Ladder	H.D.G.S.		1 POS
19 Strainer	P.E.		1 PCS

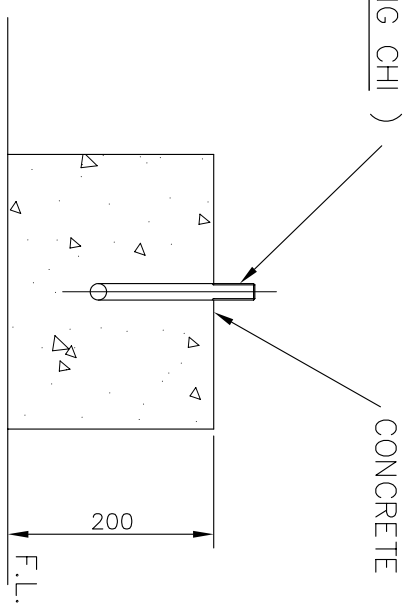
Abbrev. : 1. H.D.G.S.:Hot Dip Galvanized Steel
 2. A.A. :Aluminum Alloy
 3. S.T.S. :Stainless Steel 304
 4. F.R.P. :Fiberglass Reinforced Plastic

Drain	50A (2 B)	Over Flow	25A(1 B)
Outlet	80A (3 B)	quick filler	20A(3/4B)
Inlet	80A (3 B)	Automatic filler	20A(3/4B)
Pipe Connections			
Dry Weight	197 kgs	Operating Weight	597 kgs
Loading Data			
Ambient Wetbulb	: 28 °C	Air Volume	: 330 M ³ /MIN
Outlet Water Temp	: 32 °C	Water Flow	: 559 LPM
Inlet Water Temp	: 37 °C	Cooling Capacity	: 167,700 Kcal/HR
Design Condition			
REV.	DATE	DWG BY	APP.
LBC-T-50			
TITLE			
OUTLINE VIEW			
APP.	K.Somons	DESIGN	Annot
CHECK	SURASAK	DWG BY.	Annot
LIANG CHU INDUSTRY (THAILAND) CO., LTD. 223 Moo 9 Tab-YaoLad-KRABANG BANGKOK 10520 (NUM KAI INDUSTRIAL ZONE LUANG-PAENG RD.)			MM
			DWG-NO
			LBC-T-50-01



Water Inlet

EXPANSION BOLT (BY LIANG CHI)



A-A SECTION

REMARK :

1. THIS FOUNDATION DRAWING IS PROVIDED FOR END USER'S REFERENCE.
2. COOLING TOWER DOES NOT INCLUDE FOUNDATION
3. THE LEVEL TOLERANCE OF FOUNDATION IS ±2 mm.
4. THE HEIGHT OF FOUNDATION EXCLUDES THERMAL ISOLATOR AND WATER PROOF.
- * 5. EXPANSION BOLT & RUBBER PAD SHALL BE FURNISHED BY LIANG CHI
(PLEASE DON'T PREPARE HOLE OF EXPANSION BOLT BEFORE INSTALLATION)

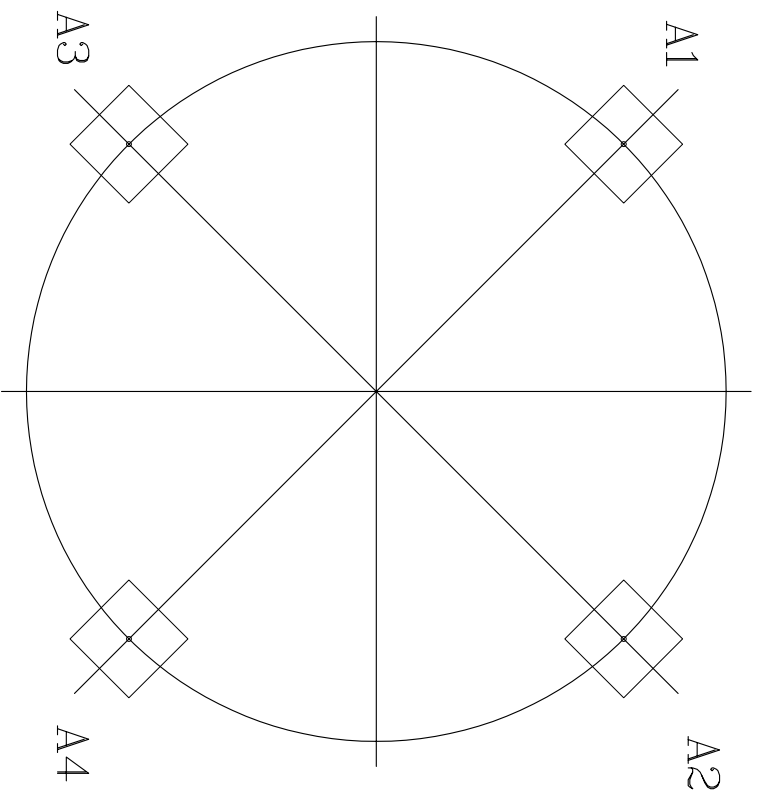
LIANG CHI IND. (THAILAND) CO.,LTD
TECHNIC DEPT.

FOR REFERENCE
 FOR APPROVAL
 APPROVAL
 OTHER.....

DATE :

TECHNIC BY :

REV.	DATE	DWG BY	APP.	NOTE
LBC-T-50				
Concrete Foundation				
APP.	K.Somons	DESIGN	Annot	MM
CHECK	SURASAK	DWG BY.	Annot	DWG-NO
LIANG CHI INDUSTRY (THAILAND) CO., LTD. 223 Moo 9 Tab-Yaolad-Krabang Bangkok 10520 (NUM KRAL INDUSTRIAL ZONE LUANG-PAENG RD.)				
				LBC-T-50-02



UNIT : KG.

LBC-T-50	A1,A2,A3,A4
	150

LIANG CHI IND. (THAILAND) CO.,LTD
 TECHNIC DEPT.
 FOR REFERENCE
 FOR APPROVAL
 APPROVAL
 OTHER:.....
 DATE :
 TECHNIC BY :

REV.	DATE	DWG BY	APP.	NOTE
TITLE LBC-T-50 Loading Data				
APP.	K.Somnons	DESIGN	Annot	MM
CHECK	SURASAK	DWG BY.	Annot	DWG-NO
LIANG CHI INDUSTRY (THAILAND) CO., LTD. 223 Moo 9 TAB-YAO LAD-KRABANG BANGKOK 10520 (NUM KRAI INDUSTRIAL ZONE LUANG-PAENG RD.)				LBC-T-50-03