



LIANG CHI INDUSTRY (THAILAND) CO., LTD.

COUNTER FLOW INDUCED DRAFT LBC TYPE COOLING TOWER SPECIFICATION

DATE :
 TOWER MODEL NO. : LBC - T - 300
 NO. OF SETS : 1

DESIGN & OPERATING CONDITIONS

WATER FLOW RATE. : 3,328 LPM.
 HOT WATER TEMP. : 37 °C
 COLD WATER TEMP : 32 °C
 AMB. WET BULB TEMP. : 28 °C
 FAN B.H.P. : 8.33 BHP
 TOWER PUMP HEAD : 3.6 M
 DRIFT LOSS OF WATER FLOW RATE : 0.2 %
 EVAPORATION LOSS OF WATER FLOW RATE : 0.83 %
 DESIGN WIND LOAD : 150 Kg / M²

STRUCTURAL DETAILS

OVERALL DIMENSION : 4440 MM
 DRY WEIGHT : 1283 Kg
 OPERATING WEIGHT PER TOWER : 4543 Kg

CONSTRUCTION

TOWER SUPPORTER FRAME ASS'Y : H.D.G.S.
 CASING : F.R.P.
 CASING SUPPORTOR : H.D.G.S.
 COLD WATER BASIN : F.R.P.
 FILLING : P.V.C.
 FILLING SUPPORTOR : H.D.G.S.
 FAN GUARD : H.D.G.S.
 MECHANICAL EQUIPMENT SUPPORTOR : H.D.G.S.
 INLET LOUVER : P.V.C.
 BOLTS,NUTS & WASHERS : C.P.S.

LIANG CHI IND. (THAILAND) CO., LTD.	
TECHNIC DEPT.	
<input type="checkbox"/>	FOR REFERENCE
<input checked="" type="checkbox"/>	FOR APPROVAL
<input type="checkbox"/>	APPROVED
<input type="checkbox"/>	OTHER.....
DATE :	
TECHNIC BY :	



LIANG CHI INDUSTRY (THAILAND) CO., LTD.

COUNTER FLOW INDUCED DRAFT LBC TYPE COOLING TOWER SPECIFICATION

WATER DISTRIBUTION

STAND PIPE : P.V.C.
 SPRINKLER HEAD : A.A.
 MODEL : LSH - 200
 SPRINKLER PIPE : P.V.C.

MECHANICAL EQUIPMENTS

FAN UNIT

NO. OF UNIT : 1 UNIT / SET
 TYPE : AXIAL FLOW
 MODEL : LSF-240
 MANUFACTUROR : LIANG CHI IND.CO.,LTD.
 DIAMETER : 2360 MM
 NO. OF BLADES : 4
 FAN SPEED : 398 RPM
 TIP SPEED : 49.18 M/S
 BLADE MATERIAL : A.A.
 HUP MATERIAL : A.A.
 AIR VOLUME : 2200 M³ / MIN/SET

SPEED REDUCER

NO. OF UNIT : 1 UNIT / SET
 TYPE : BELT
 MODEL : VBA-075-B
 MANUFACTUROR : LIANG CHI IND. CO.,LTD
 REDUCTION RATIO : 2.40 : 1

LIANG CHI IND. (THAILAND) CO., LTD.	
TECHNIC DEPT.	
<input type="checkbox"/>	FOR REFERENCE
<input checked="" type="checkbox"/>	FOR APPROVAL
<input type="checkbox"/>	APPROVED
<input type="checkbox"/>	OTHER.....
DATE :	
TECHNIC BY :	



LIANG CHI INDUSTRY (THAILAND) CO., LTD.

COUNTER FLOW INDUCED DRAFT LBC TYPE COOLING TOWER SPECIFICATION

FAN MOTOR

NO. OF UNIT	:	1	UNIT / SET
TYPE	:	TEFC	
INSULATION	:	CLASS F IP55	
MANUFACTUROR	:	LIANG CHI	
SPEED	:	950	RPM
RATED H.P	:	10	H.P * 6 P
POWER SOURCE (VOLT / PHASE / HZ)	:	380 / 3 / 50	

PIPING CONNECTION

		SIZE		Q'TY / SET
WATER INLET	:	8	B (200 A)	1
WATER OUTLET	:	8	B (200 A)	1
AUTO FILL	:	1 1/4	B (32 A)	1
QUICK FILL	:	1 1/4	B (32 A)	1
OVER FLOW	:	2	B (50 A)	1
DRAIN	:	2	B (50 A)	1

REMARK

F.R.P : FIBERGLASS REINFORCE PLASTIC

H.D.G.S : HOT DIP GALVALNIZED STEEL

A.A. : ALUMINIUM ALLOY

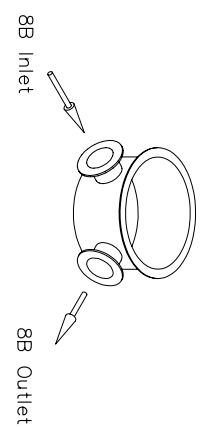
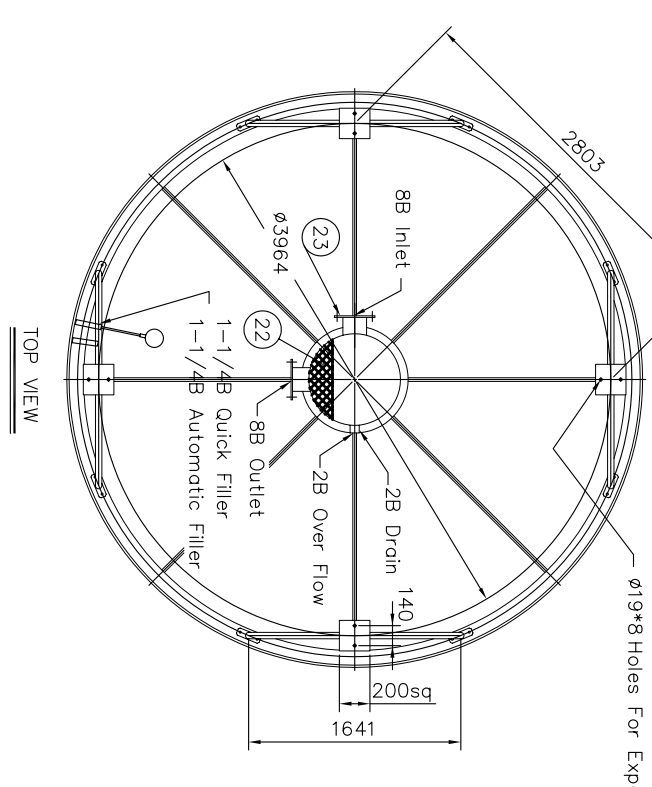
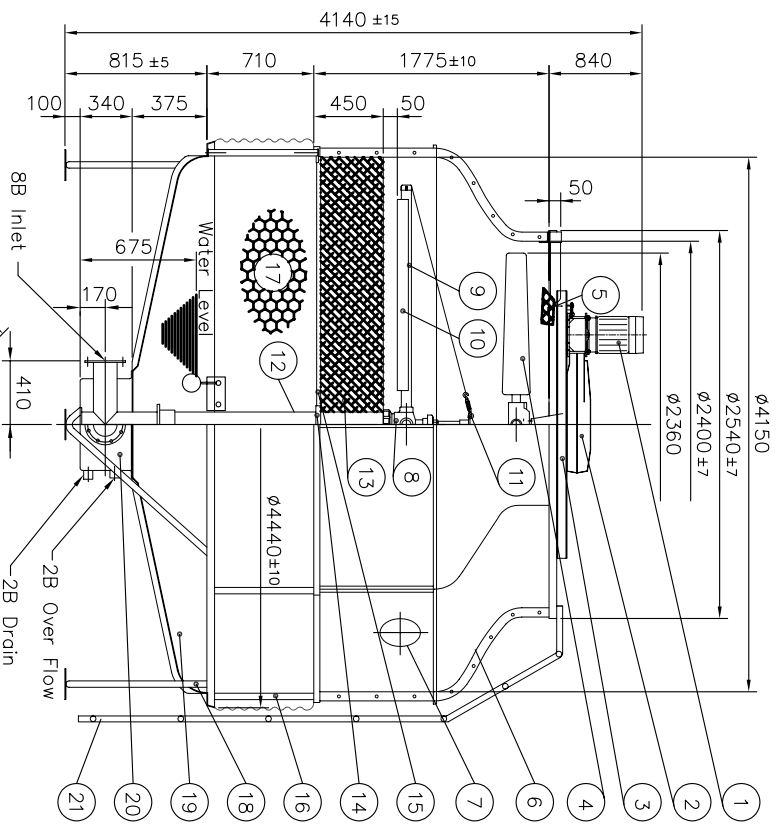
C.P.S. : CHROMATED - PLATING STEEL

DESIGNED : 

CHECK : 

APPROVE : 

LIANG CHI IND. (THAILAND) CO., LTD.	
TECHNIC DEPT.	
<input type="checkbox"/>	FOR REFERENCE
<input checked="" type="checkbox"/>	FOR APPROVAL
<input type="checkbox"/>	APPROVED
<input type="checkbox"/>	OTHER.....
DATE :	
TECHNIC BY :	



LIANG CHI IND. (THAILAND) CO.,LTD
 TECHNICAL DEPT.
 FOR REFERENCE
 FOR APPROVAL
 APPROVAL
 OTHER.....
 DATE :
 TECHNIC BY :

Description	M.T	Specification	Q'ty
1 Fan Motor		10HP*6P	1/pcs.
2 Belt Reducer		VBA-075-B	1/set.
3 Motor Framework Ass'y		H.D.G.S	1/set.
4 Fan		LSF-240	1/set.
5 Fan Guard		H.D.G.S.	1/set.
6 Casing		F.R.P.	8/pcs.
7 Hand Hole		E.V.A.	1/pcs.
8 Sprinkler Head		A.A.	1/set.
9 Sprinkler Pipe		P.V.C.	6/pcs.
10 Eliminator		F.R.P.	6/pcs.
11 Tension Device		H.D.G.S.	6/set.
12 Stand Pipe		P.V.C.	1/pcs.
13 Filling		P.V.C.	1/set.
14 Stopper or Column		H.D.G.S	1/set.
15 Filling Supporter		H.D.G.S	1/set.
16 Casing Supporter		H.D.G.S	8/pcs.
17 Inlet Louver		P.V.C.	1/set.
18 Frame Ass'y		H.D.G.S	1/set.
19 Water Basin		F.R.P.	8/pcs.
20 Water Sump		F.R.P.	1/pcs.
21 Ladder		H.D.G.S	1/set.
22 Strainer		S.T.S	1/pcs.
23 Flange		H.D.G.S	2/pcs.

Abbrev. : 1. H.D.G.S.:Hot Dip Galvanized Steel

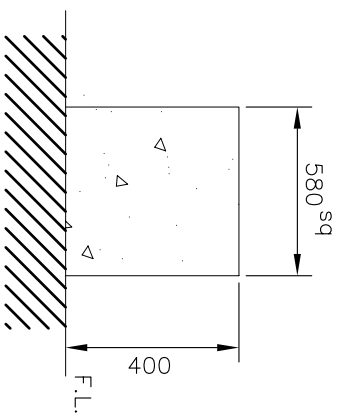
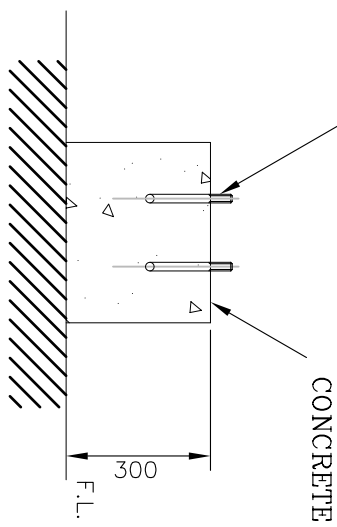
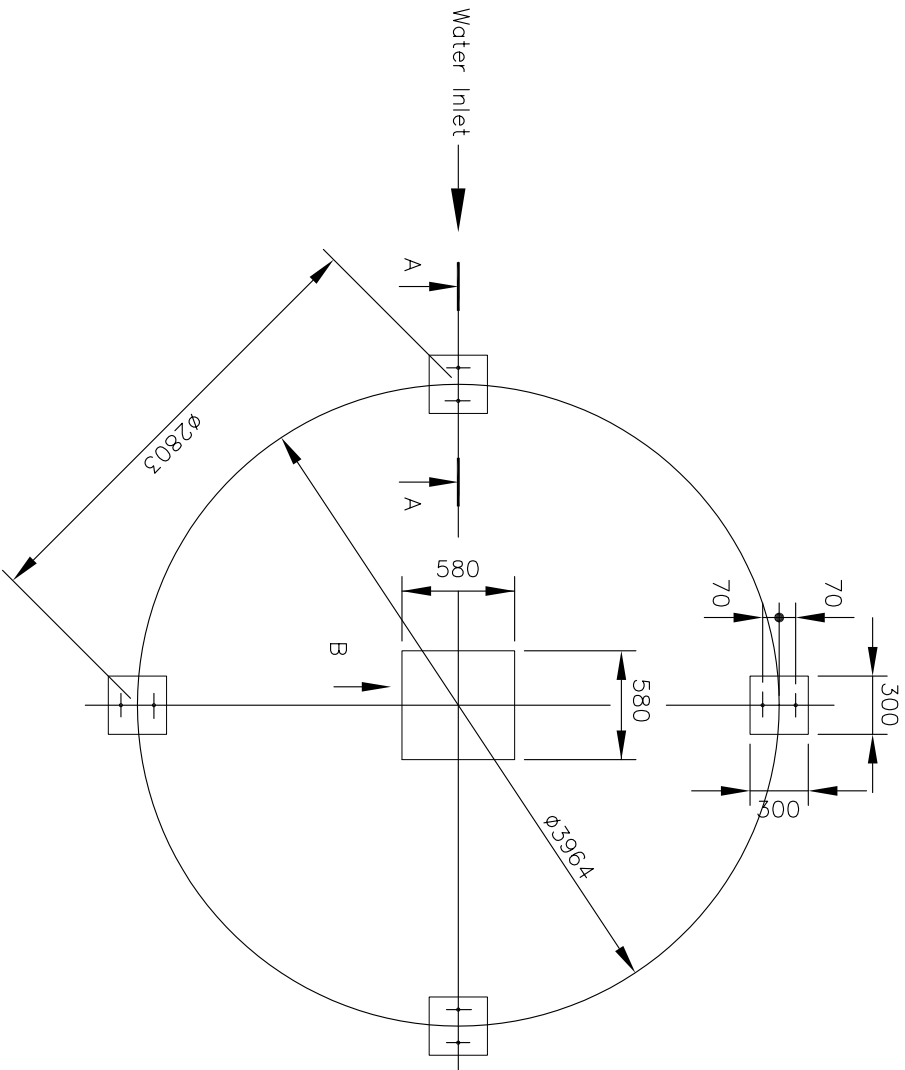
- 2. A.A. : Aluminum Alloy
- 3. S.T.S : Stainless Steel 304
- 4. F.R.P. : Fiberglass Reinforced Plastic

Drain	50A (2 B)	Over Flow	50A(2 B)
Outlet	200A (8 B)	Quick Filler	32A(1 1/4 B)
Inlet	200A (8 B)	Automatic filler	32A(1 1/4 B)
Pipe Connections			
Dry Weight	1,283kgs	Operating Weight	4,543 kgs
Loading Data			
Ambient Wetbulb	: 28 °C	Air Volume	: 2,200 M ³ /MIN
Outlet Water Temp	: 32 °C	Water Flow	: 3,328 LPM
Inlet Water Temp	: 37 °C	Cooling Capacity	: 998,400 Kcal/HR

Design Condition

REV.	DATE	DWG BY	APP.	NOTE
TITLE				
LBC-T-300				
OUTLINE VIEW				
APP.	K.Sommasi	DESIGN	Amnat	MM
CHECK	SURASAK	DWG BY	Amnat	DWG-NO
LIANG CHI INDUSTRY (THAILAND) CO., LTD.				
223 Moo 9 Tab-YaoLad-Krabang Bangkok 10520				
(NUM KAI INDUSTRIAL ZONE LUANG-PAENG RD.)				
				LBC-T-300-01

EXPANSION BOLT (BY LIANG CHI)



B VIEW

REMARK :

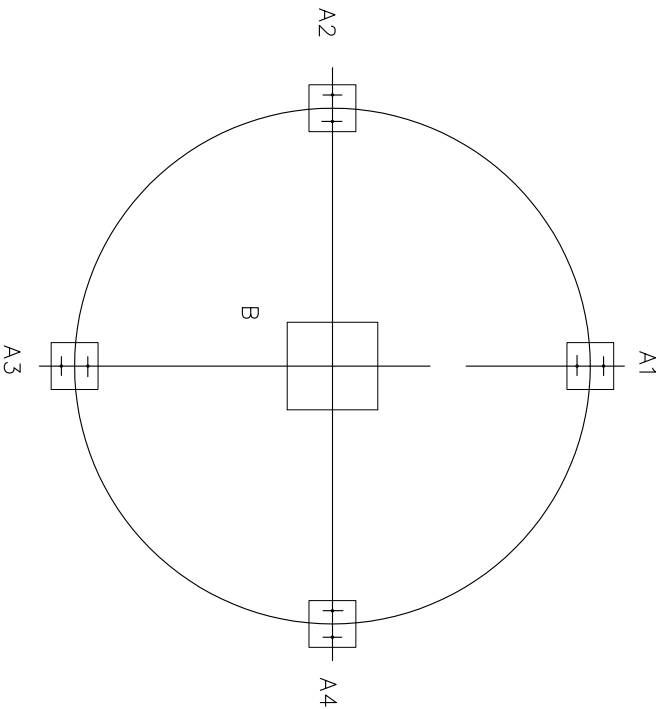
1. THIS FOUNDATION DRAWING IS PROVIDED FOR END USER'S REFERENCE.
2. COOLING TOWER DOES NOT INCLUDE FOUNDATION
3. THE LEVEL TOLERANCE OF FOUNDATION IS ± 2 mm.
4. THE HEIGHT OF FOUNDATION EXCLUDES THERMAL ISOLATOR AND WATER PROOF.
- * 5. EXPANSION BOLT & RUBBER PAD SHALL BE FURNISHED BY LIANG CHI
(PLEASE DON'T PREPARE HOLE OF EXPANSION BOLT BEFORE INSTALLATION)

LIANG CHI IND. (THAILAND) CO.,LTD
TECHNIC DEPT.

FOR REFERENCE
 FOR APPROVAL
 APPROVAL
 OTHER.....

DATE :
TECHNIC BY :

REV.	DATE	DWG BY	APP.	NOTE
LBC-T-300				
Concrete Foundation				
APP.	K.Sommanas	DESIGN	Annat	
CHECK	SURASAK	DWG BY.	Annat	
LIANG CHI INDUSTRY (THAILAND) CO., LTD. (NUM KRAL INDUSTRIAL ZONE LUANG-PAENG RD.)				
				MM
				X
				DWG-NO
				LBC-T-300-02



LBC-T-300	A1=A2=A3=A4	B
	472	2,655

UNIT : KG.

LIANG CHI IND. (THAILAND) CO.,LTD
 TECHNIC DEPT.
 FOR REFERENCE
 FOR APPROVAL
 APPROVAL
 OTHER.....
 DATE :
 TECHNIC BY :

REV.	DATE	DWG BY	APP.	NOTE
TITLE LBC-T-300 Loading Data				
APP.	K.Sommanas	DESIGN	Annnt	MM
CHECK	SURASAK	DWG BY.	Annnt	DWG-NO
LIANG CHI INDUSTRY (THAILAND) CO., LTD. 223 Moo 9 TAB-YAO LAD-KRABANG BANGKOK 10520 (NUM KRAI INDUSTRIAL ZONE LUANG-PAENG RD.)				LBC-T-300-03