



# LIANG CHI INDUSTRY ( THAILAND ) CO., LTD.

## COUNTER FLOW INDUCED DRAFT LBC TYPE COOLING TOWER SPECIFICATION

DATE :  
 TOWER MODEL NO. : LBC - T - 20  
 NO. OF SETS : 1

### DESIGN & OPERATING CONDITIONS

WATER FLOW RATE. : 219 LPM.  
 HOT WATER TEMP. : 37 °C  
 COLD WATER TEMP : 32 °C  
 AMB. WET BULB TEMP. : 28 °C  
 FAN B.H.P. : 0.42 BHP  
 TOWER PUMP HEAD : 2 M  
 DRIFT LOSS OF WATER FLOW RATE : 0.2 %  
 EVAPORATION LOSS OF WATER FLOW RATE : 0.83 %  
 DESIGN WIND LOAD : 150 Kg / M<sup>2</sup>

### STRUCTURAL DETAILS

OVERALL DIMENSION : 1170 MM  
 DRY WEIGHT : 90 Kg  
 OPERATING WEIGHT PER TOWER : 330 Kg

### CONSTRUCTION

TOWER SUPPORTER FRAME ASS'Y : F.R.P.  
 CASING : F.R.P.  
 CASING SUPPORTOR : NYLON  
 COLD WATER BASIN : F.R.P.  
 FILLING : P.V.C.  
 FILLING SUPPORTOR : H.D.G.S.  
 MECHANICAL EQUIPMENT SUPPORTOR : H.D.G.S.  
 INLET LOUVER : P.V.C.  
 BOLTS,NUTS & WASHERS : C.P.S.

LIANG CHI IND. (THAILAND) CO., LTD.	
TECHNIC DEPT.	
<input type="checkbox"/>	FOR REFERENCE
<input checked="" type="checkbox"/>	FOR APPROVAL
<input type="checkbox"/>	APPROVED
<input type="checkbox"/>	OTHER.....
DATE :	
TECHNIC BY :	



# LIANG CHI INDUSTRY ( THAILAND ) CO., LTD.

## COUNTER FLOW INDUCED DRAFT LBC TYPE COOLING TOWER SPECIFICATION

### WATER DISTRIBUTION

STAND PIPE : P.V.C.  
 SPRINKLER HEAD : NYLON  
 MODEL : LSH - 050  
 SPRINKLER PIPE : P.V.C.

### MECHANICAL EQUIPMENTS

#### FAN UNIT

NO. OF UNIT : 1 UNIT / SET  
 TYPE : AXIAL FLOW  
 MODEL : LSF-070  
 MANUFACTUROR : LIANG CHI IND.CO.,LTD.  
 DIAMETER : 670 MM  
 NO. OF BLADES : 3  
 FAN SPEED : 950 RPM  
 TIP SPEED : 38.3 M/S  
 BLADE MATERIAL : NYLON  
 HUP MATERIAL : NYLON  
 AIR VOLUME : 180 M<sup>3</sup> / MIN/SET

#### FAN MOTOR

NO. OF UNIT : 1 UNIT / SET  
 TYPE : TEFC  
 INSULATION : CLASS F IP55  
 MANUFACTUROR : LIANG CHI  
 SPEED : 950 RPM  
 RATED H.P : 1 / 2 H.P \* 6P  
 POWER SOURCE ( VOLT / PHASE / HZ ) : 380 / 3 / 50

LIANG CHI IND. (THAILAND) CO., LTD.	
TECHNIC DEPT.	
<input type="checkbox"/>	FOR REFERENCE
<input checked="" type="checkbox"/>	FOR APPROVAL
<input type="checkbox"/>	APPROVED
<input type="checkbox"/>	OTHER.....
DATE :	
TECHNIC BY :	



# LIANG CHI INDUSTRY ( THAILAND ) CO., LTD.

## COUNTER FLOW INDUCED DRAFT LBC TYPE COOLING TOWER SPECIFICATION

<u>PIPING CONNECTION</u>		SIZE		Q'TY / SET
WATER INLET	:	2	B ( 50 A )	1
WATER OUTLET	:	2	B ( 50 A )	1
AUTO FILL	:	1/2	B ( 15 A )	1
QUICK FILL	:	1/2	B ( 15 A )	1
OVER FLOW	:	1	B ( 25 A )	1
DRAIN	:	1	B ( 25 A )	1


### REMARK

F.R.P : FIBERGLASS REINFORCE PLASTIC

H.D.G.S : HOT DIP GALVALNIZED STEEL

A.A. : ALUMINIUM ALLOY

C.P.S. : CHROMATED - PLATING STEEL

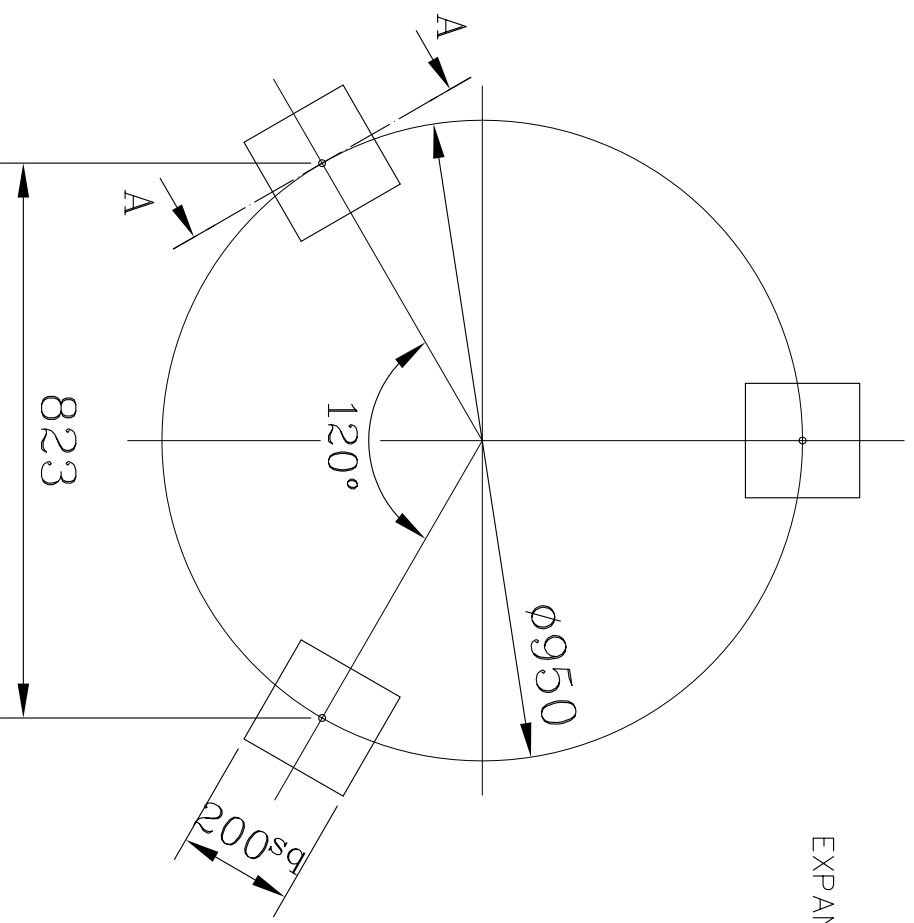
DESIGNED :  .....

CHECK :  .....

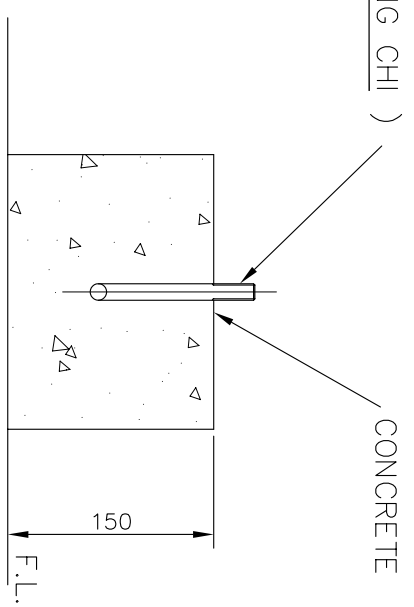
APPROVE :  .....

LIANG CHI IND. (THAILAND) CO., LTD.	
TECHNIC DEPT.	
<input type="checkbox"/>	FOR REFERENCE
<input checked="" type="checkbox"/>	FOR APPROVAL
<input type="checkbox"/>	APPROVED
<input type="checkbox"/>	OTHER.....
DATE :	
TECHNIC BY :	





EXPANSION BOLT ( BY LIANG CHI )



A-A SECTION

REMARK :

1. THIS FOUNDATION DRAWING IS PROVIDED FOR END USER'S REFERENCE.
2. COOLING TOWER DOES NOT INCLUDE FOUNDATION
3. THE LEVEL TOLERANCE OF FOUNDATION IS ±2 mm.
4. THE HEIGHT OF FOUNDATION EXCLUDES THERMAL ISOLATOR AND WATER PROOF.
- \* 5. EXPANSION BOLT & RUBBER PAD SHALL BE FURNISHED BY LIANG CHI  
( PLEASE DON'T PREPARE HOLE OF EXPANSION BOLT BEFORE INSTALLATION )

LIANG CHI IND. (THAILAND) CO.,LTD  
TECHNIC DEPT.

FOR REFERENCE  
 FOR APPROVAL  
 APPROVAL  
 OTHER.....

DATE : .....  
 TECHNIC BY : .....

Water Inlet

REV.	DATE	DWG BY	APP.	NOTE
TITLE				
Concrete Foundation				
APP.	K.Somnoos		DESIGN	Amnat
CHECK	SURASAK	DWG BY	Amnat	
LIANG CHI INDUSTRY (THAILAND) CO., LTD. 223 Moo 9 Tab-Yaolad-Krabang Bangkok 10520 (NUM KRAL INDUSTRIAL ZONE LUANG-PAENG RD.)				MM
				MM
				DWG-NO
				LBC-T-20-02

